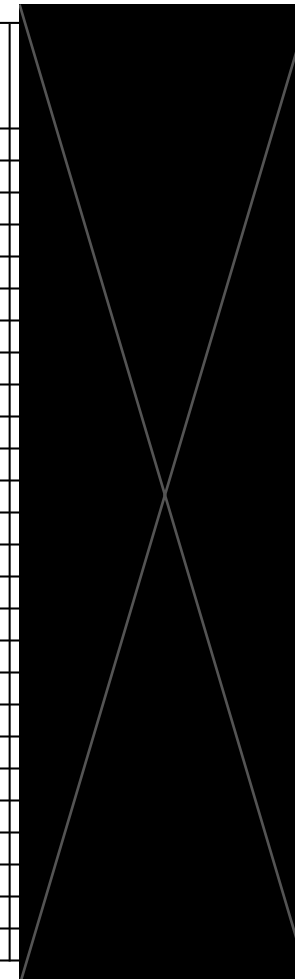


**BLUR BODY PANELS**

updated 8.14.12

ITEM	PART NAME	BLUR 150 ORANGE BLACK	BLUR 150 BLACK GRAY	BLUR SS220i GREY	BLUR SS220i WHITE
1	HANDLE COVER UPPER	M26130002R0	M2613000690	M26130007N0	M2613000710
2	WINDSHIELD	M26210006B0	M26210006B0	M26210007N0	M2621000710
3	FR FENDER	M26320016B0	M26320016B0	M26320017N0	M2632001710
4	BODY COVER,LH	M26253006B0	M26253006B0	M26253007N0	M2625300710
5	BODY COVER,RH	M26255006B0	M26255006B0	M26255007N0	M2625500710
6	TURN SIGNAL FRONT ASSY,INNER COVER(LH)	M26213006B0	M26213007R0	M26213007R0	M2621300710
7	TURN SIGNAL FRONT ASSY,INNER COVER(RH)	M262A3006B0	M262A3007R0	M262A3007R0	M262A300710
8	LOWER COVER(LEFT)	M26263006B0	M26263006B0	M26263017N00	M26263017100
9	LOWER COVER(RIGHT)	M26265016B00	M26265016B00	M26265037N00	M26265037100
10	KEEL COVER,LH	M26240112R0	M2624011690	M26240117R0	M2624011710
11	KEEL COVER,RH	M262D0112R0	M262D011690	M262D0117R0	M262D011710
12	AGAINST SUN PLATE	M2613020000	M2613020000	M2613020000	M2613020000
13	WINDSHIELD,OUTER COVER(BLACK)	M2621010690	M2621010690	M2621010690	M2621010690
14	HANDLE COVER LOWER	M2614001650	M2614001650	M26140026500	M26140026500
15	INNER COVER,FRT	M262C0136500	M262C0136500	M262C0136500	M262C0136500
16	STEP FLOOR,LH	M2624001650	M2624001650	M26240026500	M26240026500
17	STEP FLOOR,RH	M262D001650	M262D001650	M262D0026500	M262D0026500
18	LEFT HANGER COVER	M2624060650	M2624060650	M26240816505	M26240816505
19	RIGHT HANGER COVER	M2624070650	M2624070650	M26240716505	M26240716505
20	LICENCE PLATE	M2636001650	M2636001650	M26360026500	M26360026500
21	FUEL TANK COVER,FR.	M26250116500	M26250116500	M26250126500	M26250126500
22	REAR FENDER	M2634000650	M2634000650	C76340006500	C76340006500
23	RR LUGGAGE BRACKET	M26760002R0	M2676000690	M26760007R0	M2676000710
*	MIRROR LEFT	NA	NA	NA	BF61F0100000
*	MIRROR RIGHT	NA	NA	NA	BF61F0200000
*	MIRROR SET ONLY	P2616000000	P2616000000	BF6160000002	NA



E1.  
曲軸箱  
CRANK CASE

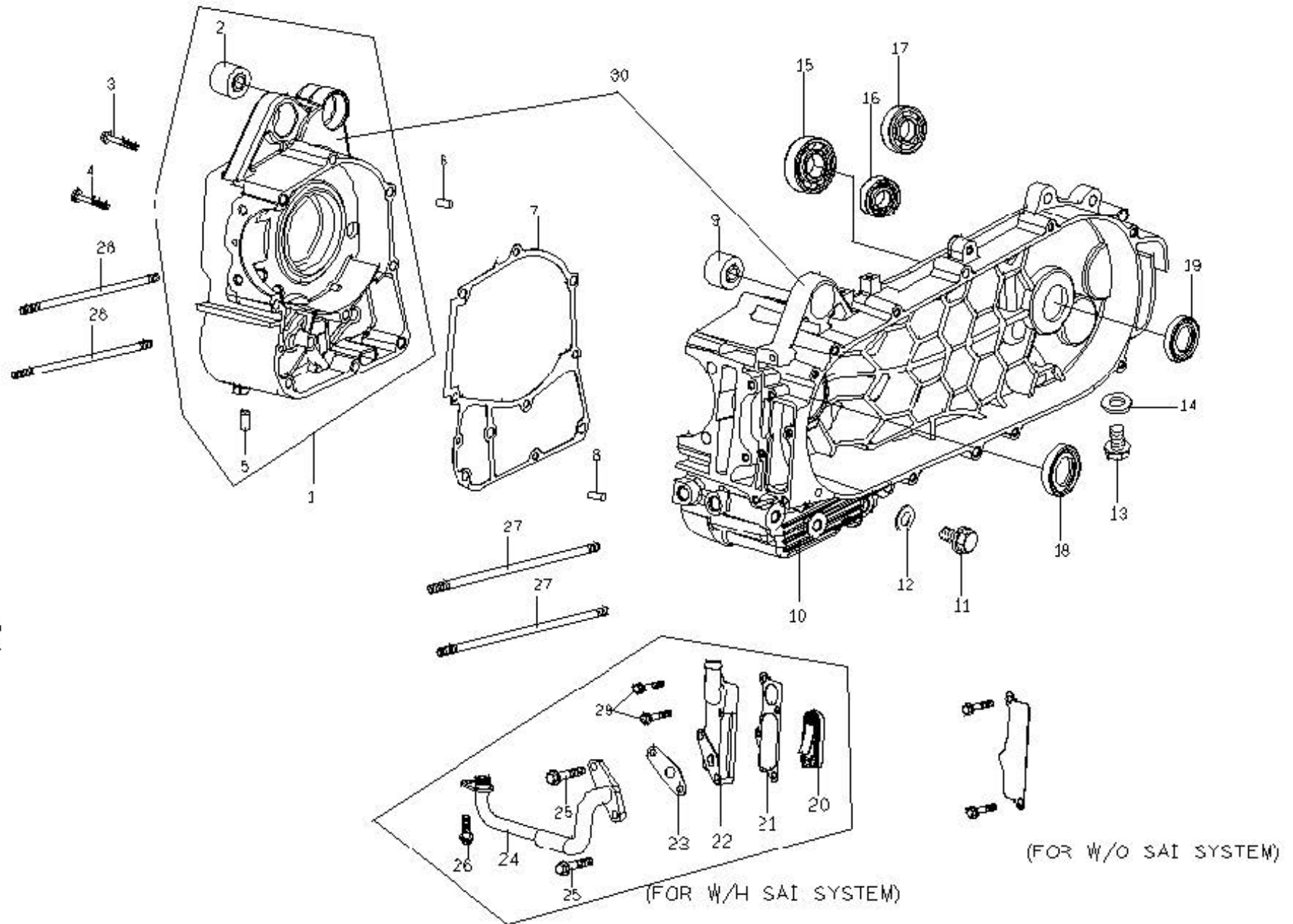
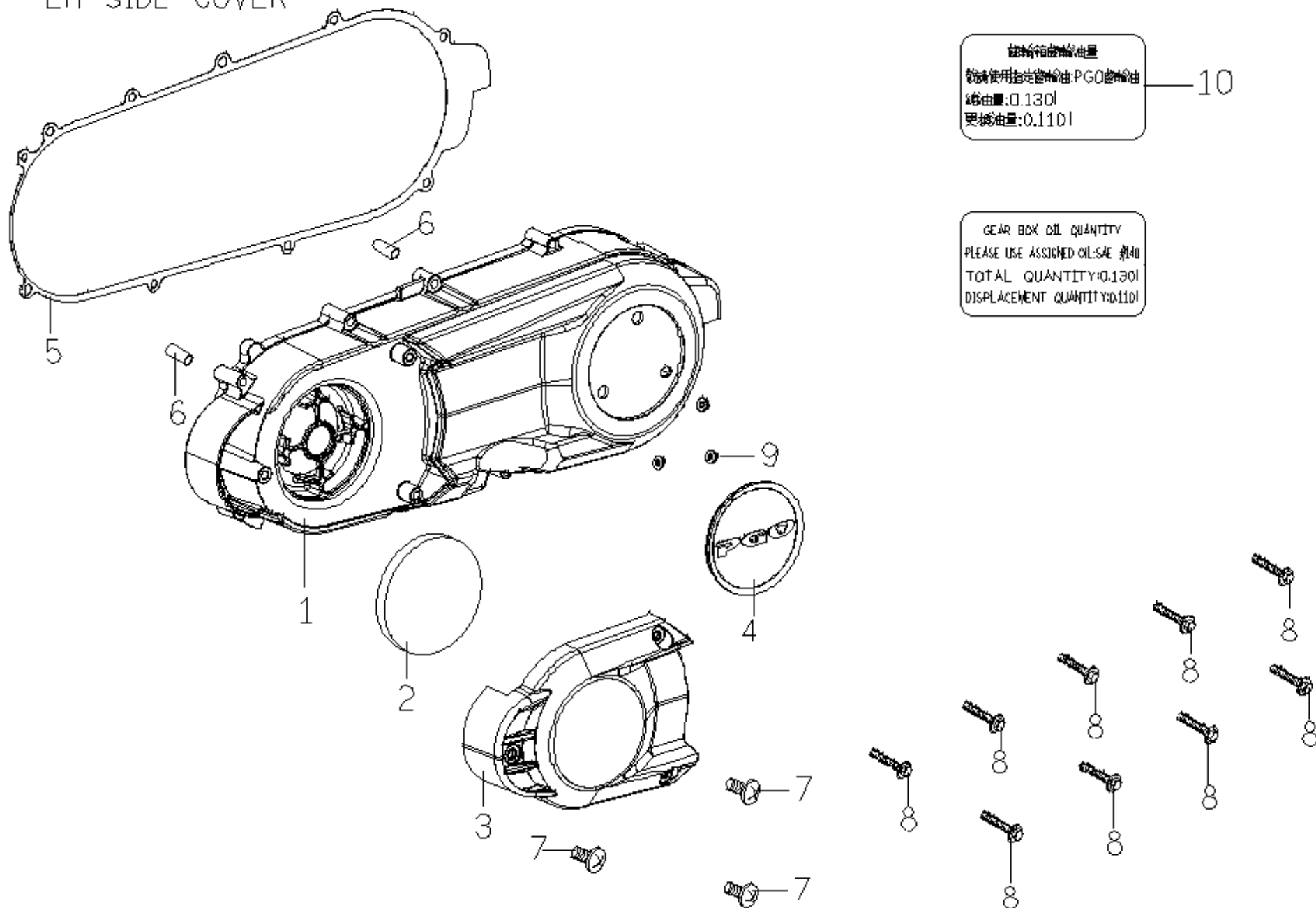


TABLE E1 CRANKCASE

NO.	PART NO	QTY	PART NAME
1	C70610000000S	1	CRANKCASE COMP RH
2	E1061020000	1	BUSH, QUAKEPROOF
3	90190606500	1	HEXAGON FLANGE BOLT
4	90190605502	1	HEXAGON FLANGE BOLT
5	G1061070000	1	OIL PLUG
6	93540801400	1	LOCK PIN
7	C70610400000	1	GASKET FOR CRANKCASE
8	93540801400	1	LOCK PIN
9	E1061020000	1	BUSH, QUAKEPROOF
10	C70620100000	1	CRANKCASE LEFT
11	90181201501	1	HEXAGON HEAD BOLT FLANGE
12	92141200006	1	WASHER
13	90190801202	1	HEXAGON FLANGE BOLT (M8*12L)
14	92140800001	1	WASHER (8*1.6T)
15	96510620407	1	DEEP GROOVE BALL BEARING
16	96510620200	1	BALL BEARING
17	96510620301	1	BALL BEARING
18	95572637600	1	OIL SEAL, TC TYPE
19	95572032601	1	OIL SEAL, TC TYPE(SD19.8)
20	C82860100000	1	INTAKE VALVE ASSY
21	C1286161000	1	GASKET SECOND AIR COVER
22	C1286060000	1	COVER, SECOND AIR
23	C1286220000	1	GASKET ,INTAKE TUBE(1)
24	C72862000000	1	INTAKE TUBE COMP
25	90190603500	2	HEXAGON FLANGE BOLT(M6*35L)
26	90190601203	1	HEXANGON FLANGE BOLT(M6*1.0P*1
27	90170820500	2	STUD BOLT
28	90170819800	2	STUD BOLT
29	90190602700	2	HEXAGON FLANGE BOLT (M6*27L)
30	C706K0110000	1	CRANKCASE ASSY.RH/LH.

E2 左邊蓋  
LH SIDE COVER



齒輪箱油油量  
 欲請使用指定齒輪油:PG0齒輪油  
 總油量:0.130l  
 更換油量:0.110l

10

GEAR BOX OIL QUANTITY  
 PLEASE USE ASSIGNED OIL:SAE #140  
 TOTAL QUANTITY:0.130l  
 DISPLACEMENT QUANTITY:0.110l

TABLE E2 LEFT SIDE COVER

NO.	PART NO	QTY	PART NAME
1	C70630107700	1	LH SIDE COVER
2	C70630900000	1	SPONGE, FILTER
3	C70631506500	1	DIVERSION COVER ,LH. SIDE COVER
4	C70631406501	1	OUTSIDE COVER ,LH. SIDE COVER
5	C70630200000	1	GASKET, LH SIDE COVER
6	93540801400	2	LOCK PIN
7	90070601501	3	C-R TRUSS HD. MACHINE SCREW
8	90190604001	9	HEXAGON FLANGE BOLT (M6*40L)
9	C70631600000	3	OUTSIDE COVER WASHER,LH. SIDE COVER
10	C76031400001	1	NOTICE LABEL,GEAR OIL

汽缸頭 , 汽缸頭蓋

E3.CYLINDER HEAD,CYLINDER HEAD COVER

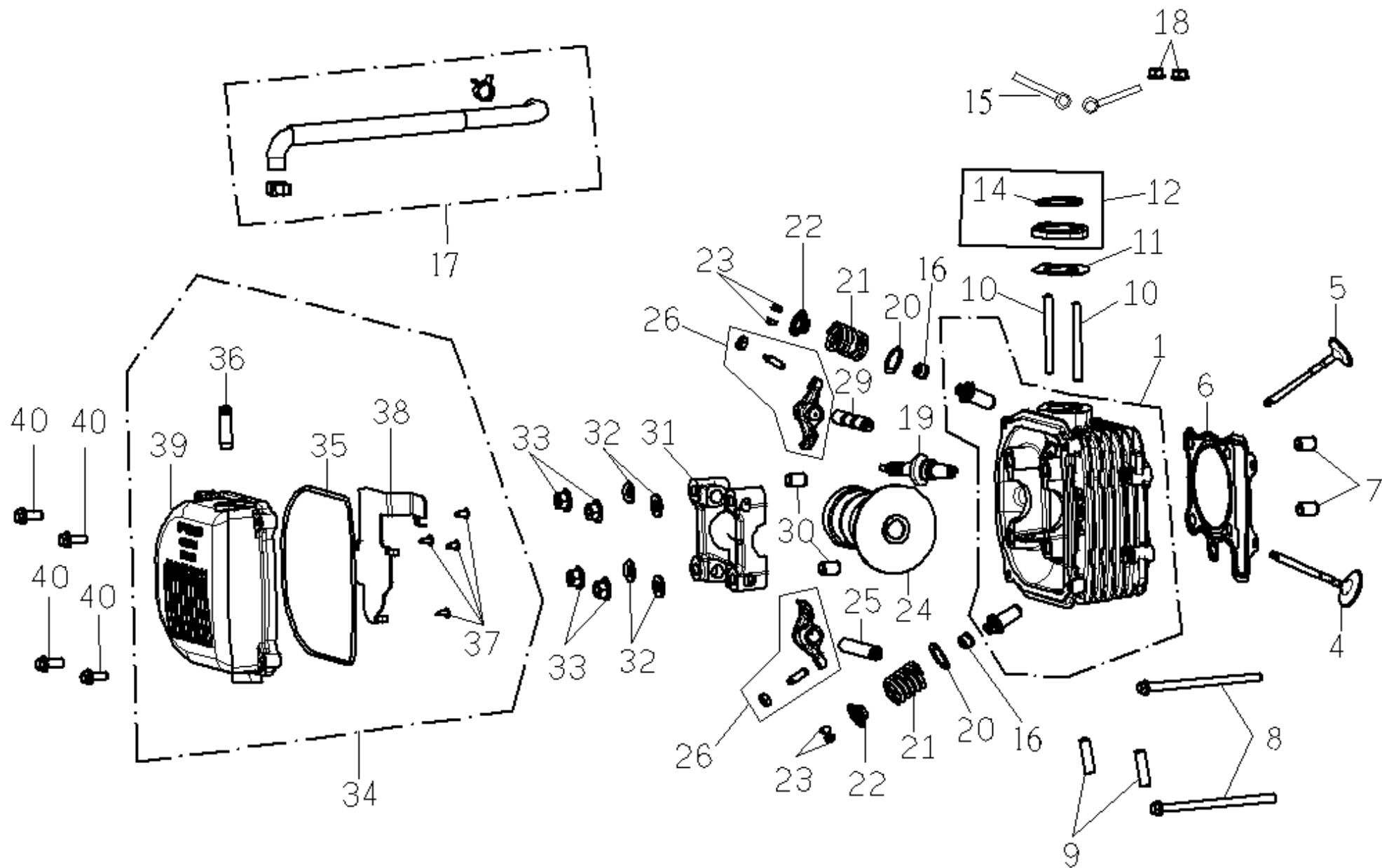


TABLE E3 CYLINDER HEAD ASSY.

NO.	PART NO	QTY	PART NAME
1	C70710100001	1	CYLINDER HEAD
4	C70712000000	2	VALVE, EXHAUST
5	C70713000000	2	VALVE, INTAKE
6	C80710710000	1	GASKET,CYL. HEAD
7	93541001401	2	LOCK PIN (10*14)
8	90190610001	2	HEXAGON FLANGE BOLT (M6*100L)
9	90170802900	2	STUD BOLT
10	90170606300	2	STUD BOLT
11	C72613200000	1	GASKET, CARB. INSULATOR
12	C72613000000	1	INSULATOR COMP,CARB
14	95513300000	1	O-RING ( 33D*2D)
15	ES706020000	1	WIRE CLIP
16	C1071451000	2	SEAL, VALVE
17	C70711910000	1	TUBE CYL. COMP.,HEAD COVER
18	92040600000	2	HEXAGON FLANGE NUT (M6*1.0P)
19	F32220000001	1	SPARK PLUG
20	92431600002	2	WASHER
21	C70714100000	2	VALVE SPRING
22	C1071440000	2	RETAINER, VALVE SPRING
23	C1071430000	4	COTTER VALVE
24	C70730020000	1	CAMSHAFT ASSY.
25	C70720600000	1	SHAFT, EX ROCKER ARM
26	C70720200000	2	VALUE ROCKER ARM COM.
29	C70720500000	1	SHAFT, IN ROCKER ARM
30	93541001401	4	LOCK PIN (10*14)
31	C70724300000	1	CAMSHAFT HOLDER
32	92140800000	4	PLAIN WASHER
33	92060800002	4	HEXAGON FLANGE NUT

TABLE E3 CYLINDER HEAD ASSY.

34	C70711000000	1	CYL.HEAD COVER COMP.
35	C70711200000	1	GASKET, CYLINDER HEAD COVER
36	C70711310000	1	TUBE,BLEED
37	90150400800	4	CR TRUSS HD TAPPING SCREW(M4*8L)
38	C70711500000	1	PARTITION PLATE
39	C70711110001	1	COVER,CYLINDER HEAD



汽缸組合 , 曲軸  
E4.CYLINDER,PSITON ,CRANKSHAFT

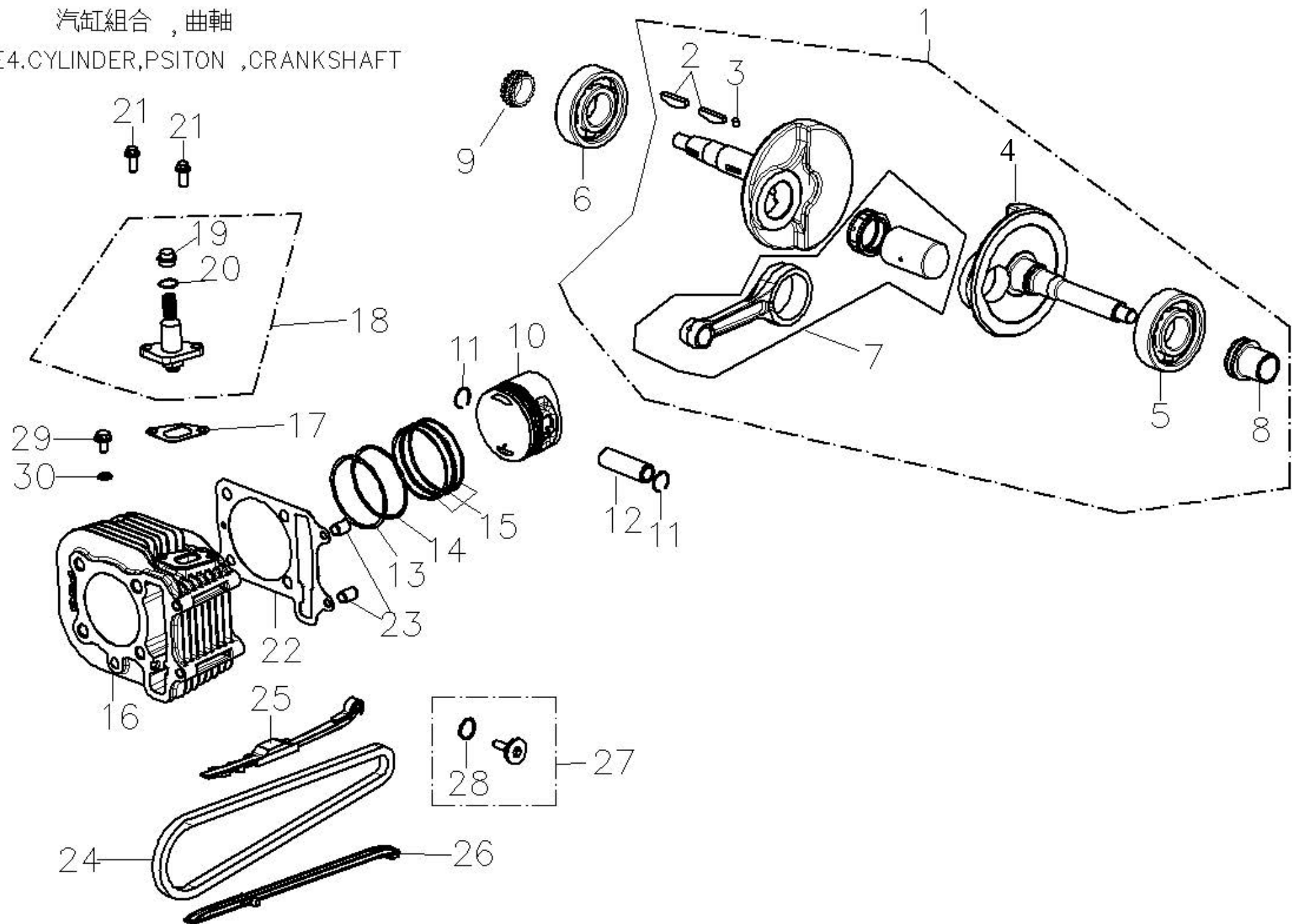


TABLE E4 CYLINDER ,PISTON, CRANKSHAFT

NO.	PART NO	QTY	PART NAME
1	C80665010000	1	CRANK SHAFT ASSY.
2	93530402500	2	WOODRUFF KEY
3	93560500600	1	PIN
4	C80660100000	1	CRANK SHAFT L.S.
5	C70621000000	1	ROLLER BEARING
6	C70611000000	1	ROLLER BEARING
7	C80661200000	1	CONNECTING ROD
8	C70661300000	1	TIMING SPROCKET
9	C70661400000	1	SPROCKET, OIL PUMP DRIVEN
10	C80670100000	1	PISTON
11	C70671500000	2	CLIP, PISTON PIN
12	C70671110000	1	PISTON PIN
13	C80673100000	1	PISTON RING (1)
14	C80673200000	1	PISTON RING (2)
15	C80674000000	1	OIL SCRAPER RING COMP
16	C80640100000	1	CYLINDER
17	C10724820000	1	GASKET, CHAIN ADJUSTER
18	C70725000000	1	CHAIN ADJUSTER ASSY
19	C70725600000	2	BOLT
20	95510900001	1	O RING
21	90190601604	2	HEXAGON FLANGE BOLT
22	C70641110000	1	GASKET,CYLINDER
23	93541001401	2	LOCK PIN (10*14)
24	C70724600000	1	CHAIN, CAMSHAFT
25	C70724400000	1	TENSIONER, TIMING CHAIN
26	C70724700000	1	GUIDE COMP, TIMING CHAIN
27	C1072490000	1	SCREW ASSY, TIMING CHAIN TENSIONER
28	95511500001	1	O RING
29	90190601207	1	HEXAGON FLANGE BOLT(M6*1.0P*12L)
30	92140600011	1	WASHER

E5 右曲軸箱蓋  
RIGHT CRANKCASE COVER

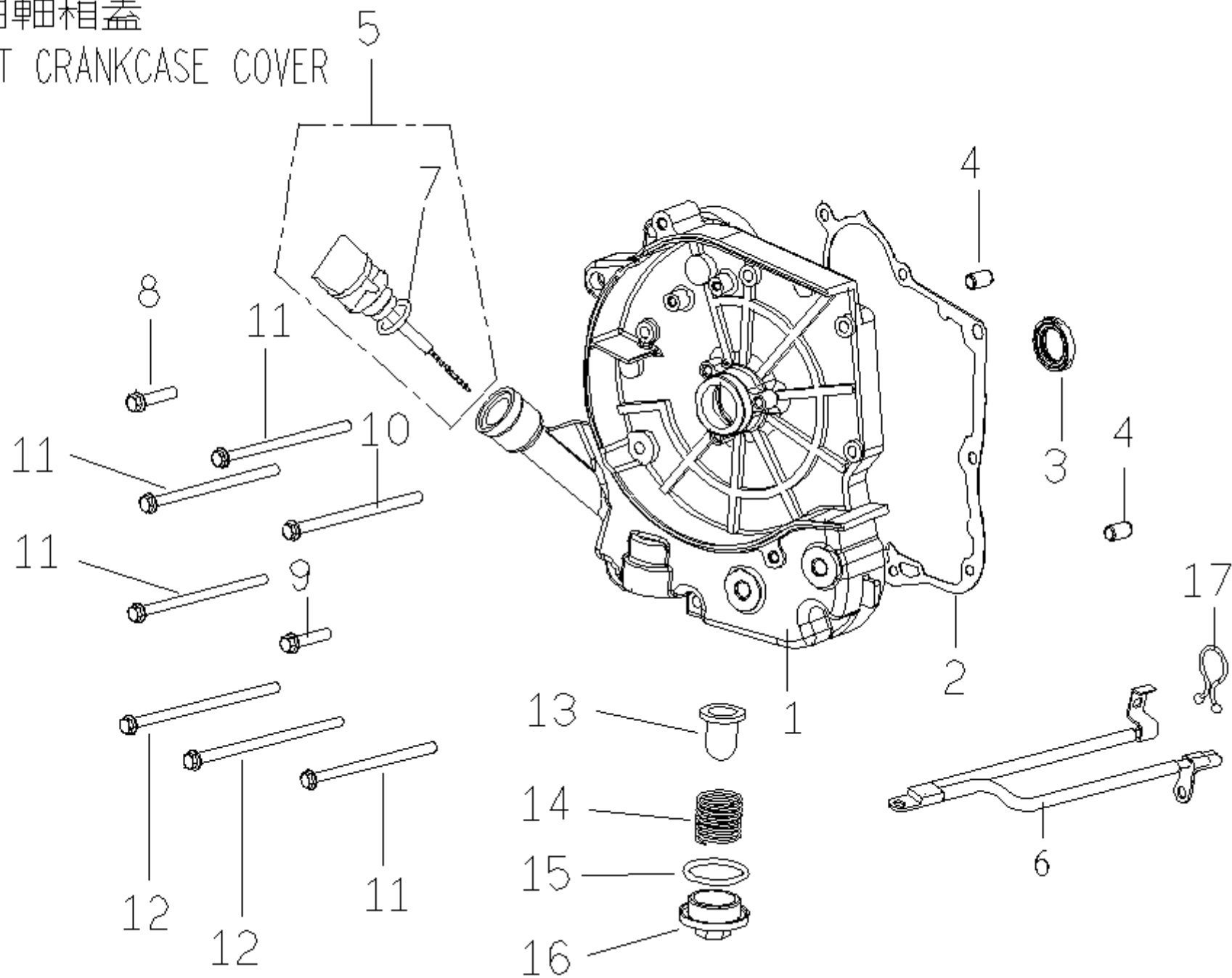


TABLE E5 RIGHT SIDE CRANK CASE COVER

NO.	PART NO	QTY	PART NAME
1	C80680100000	1	COVER CRANKCASE RH
2	C70680200000	1	GASKET RH. CRANKCASE COVER
3	95572030501	1	OIL SEAL TC TYPE
4	93540801400	2	LOCK PIN
5	X20681100003	1	GAUGE. OIL LEVEL
6	M22410300006	1	STARTED MOTOR LINE
7	95511800001	1	O-RING
8	90190603001	1	HEXAGON FLANGE BOLT (M6*30L)
9	90190603500	1	HEXAGON FLANGE BOLT(M6*35L)
10	90190612200	1	HEXAGON FLANGE BOLT (M6*122L)
11	90190611501	4	HEXAGON BOLT
12	90190612701	2	HEXAGON BOLT
13	G1062180000	1	SCREEN ,OIL FILTER
14	C1062190000	1	COMPRESSION SPRING
15	95513100000	1	O RING
16	C1062240000	1	CAP, OIL FILTER
17	C1701270000	1	PLASTICS LOCK

E6 EMS噴射系統  
EMS INJECTION SYSTEM

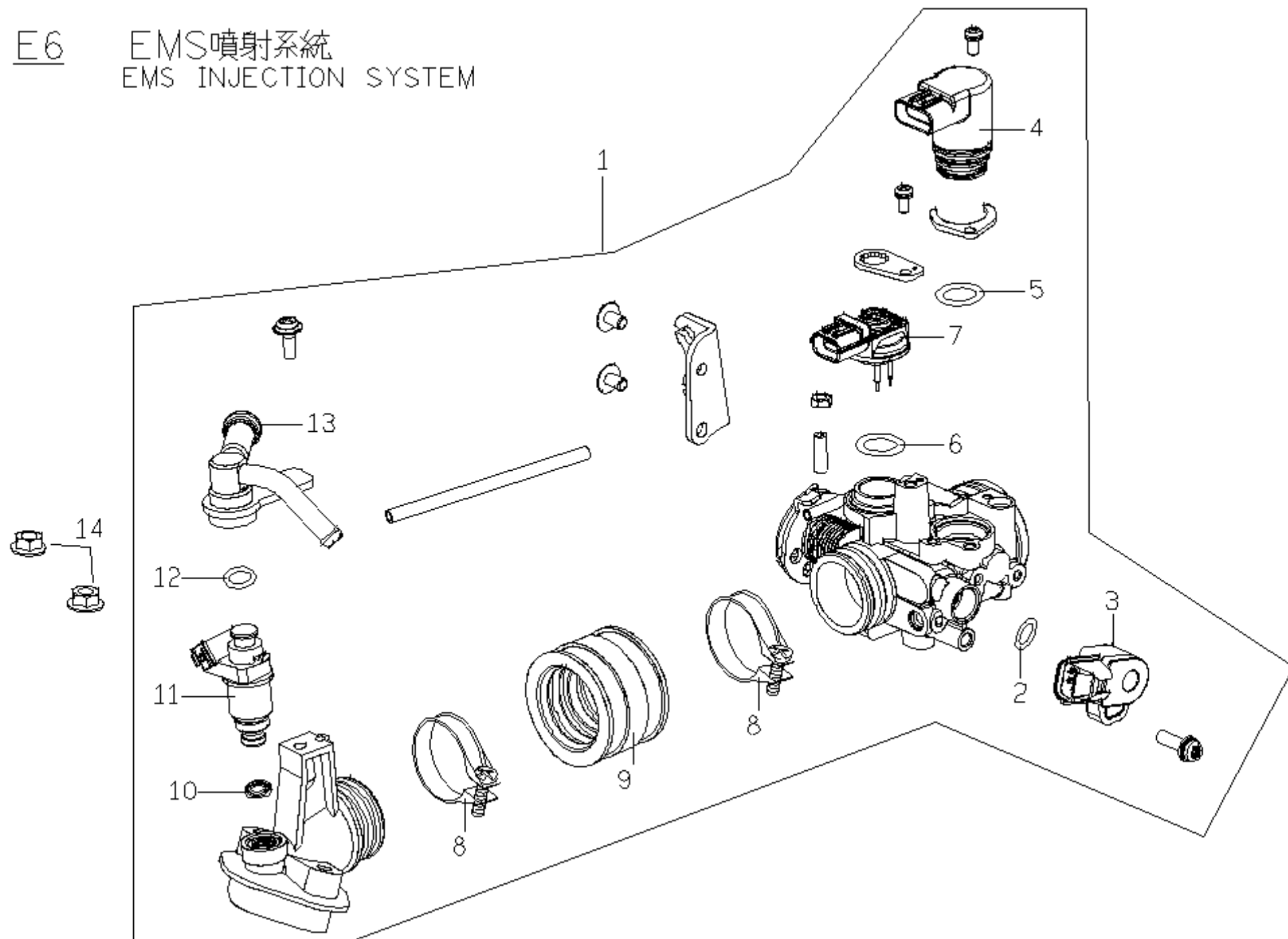


TABLE E6 INJECTION SYSTEM

NO.	PART NO	QTY	PART NAME
1	C82630100000	1	THROTTLE BODY ASSY
2	09018806000	1	O RING
3	16148680000	1	THROTTLE POSITION SENSOR(TPS)
4	40004520003	1	ISC VALVE
5	09018196001	1	O-RING(ISC)
6	09019116000	1	O-RING(MAP)
7	16149060002	1	MAP SENSOR
8	ES706010000	1	CLIP
9	F32630400000	1	INSULATOR
10	09028046000	1	O-RING(ORANGE)
11	D30NADS60111	1	INJECTOR ASSY
12	91301PLC0003	1	O-RING(BLACK)
13	10749962100	1	CLIP, INJECTOR
14	92040600000	2	HEXAGON FLANGE NUT (M6*1.0P)

# E7 CVT TRANSMISSION

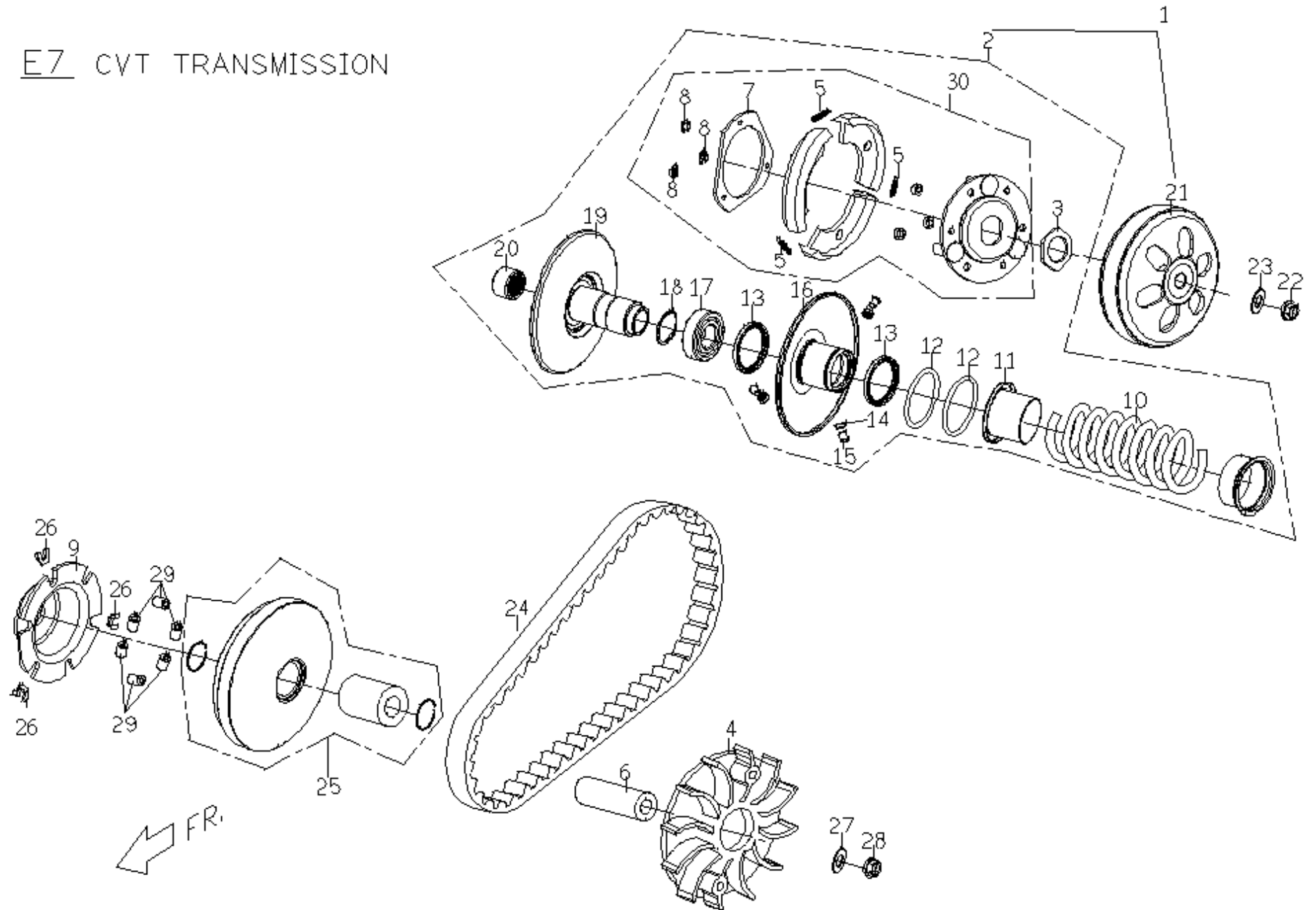


TABLE E7 TRANSMISSION

NO.	PART NO	QTY	PART NAME
1	C71230020000	1	FACE ASSY. DRIVEN
2	C71237020000	1	BELT PULLEY COMP., DRIVEN FACE
3	P1123410000	1	NUT
4	C71210600000	1	DRIVE FACE
5	C71234300000	3	SPRING, CLUTCH
6	C71210500000	1	BOSS DRIVER FACE
7	C71234500000	1	PRESSURE PLATE, CLUTCH
8	92180700000	3	RETAINING RING E TYPE
9	C71213100000	1	PAMP PLATE
10	C71235200000	1	SPG. DRIVEN FACE
11	C71235300000	1	COLLAR SEAT
12	95513700000	2	O TYPE TYPE
13	95593441400	2	OIL SEAL G TYPE
14	C1123250000	3	BUSH
15	C1123240000	3	PIN,GRIDE
16	C71232110000	1	BODY COMP., DRIVEN FACE
17	96520690200	1	DEEP GROOVE BALL BEAR ONE SEAL
18	92162800000	1	RETAINING RING C TYPE
19	C71231000000	1	DRIVEN FACE ASSY.
20	96550202900	1	NEEDLE BEARING
21	C71235100000	1	OUTER BODY COMP. CLUTCH
22	92041200002	1	HEXAGON FLANGE NUT
23	92141200015	1	PLANE WASHER
24	C81220000000	1	V TYPE BELT
25	C71235100000	1	DRIVE FACE ASSY., MOVABLE
26	C71213200000	3	SLIDE PIECE
27	92141200015	1	PLANE WASHER
28	92041200002	1	HEXAGON FLANGE NUT
29	C71212000000	6	WEIGHT ROLLER COMP 14.5G
30	C71236010000	1	PLATE ASSY., DRIVE



# E8 風扇蓋,發電機 FAN COVER, GENERATOR

引擎機油量  
將其他用油機油PG.0車行機油  
總油量:1.40L  
更換油量:1.00L  
更換油時請將油桶傾斜至右側  
使油桶三分油桶再傾斜左側

ENGINE OIL QUANTITY  
PLEASE USE ASSIGNED OILS  
TOTAL QUANTITY:1.40L  
DISPLACEMENT QUANTITY:1.00L  
WHEN REPAIRING PLEASE USE OIL LEVEL GAGE  
TO CHECK IT IS CORRECT  
CHECK OIL LEVEL IN POSITION OF CENTER  
ON THE 3 PARTS OF BOWL

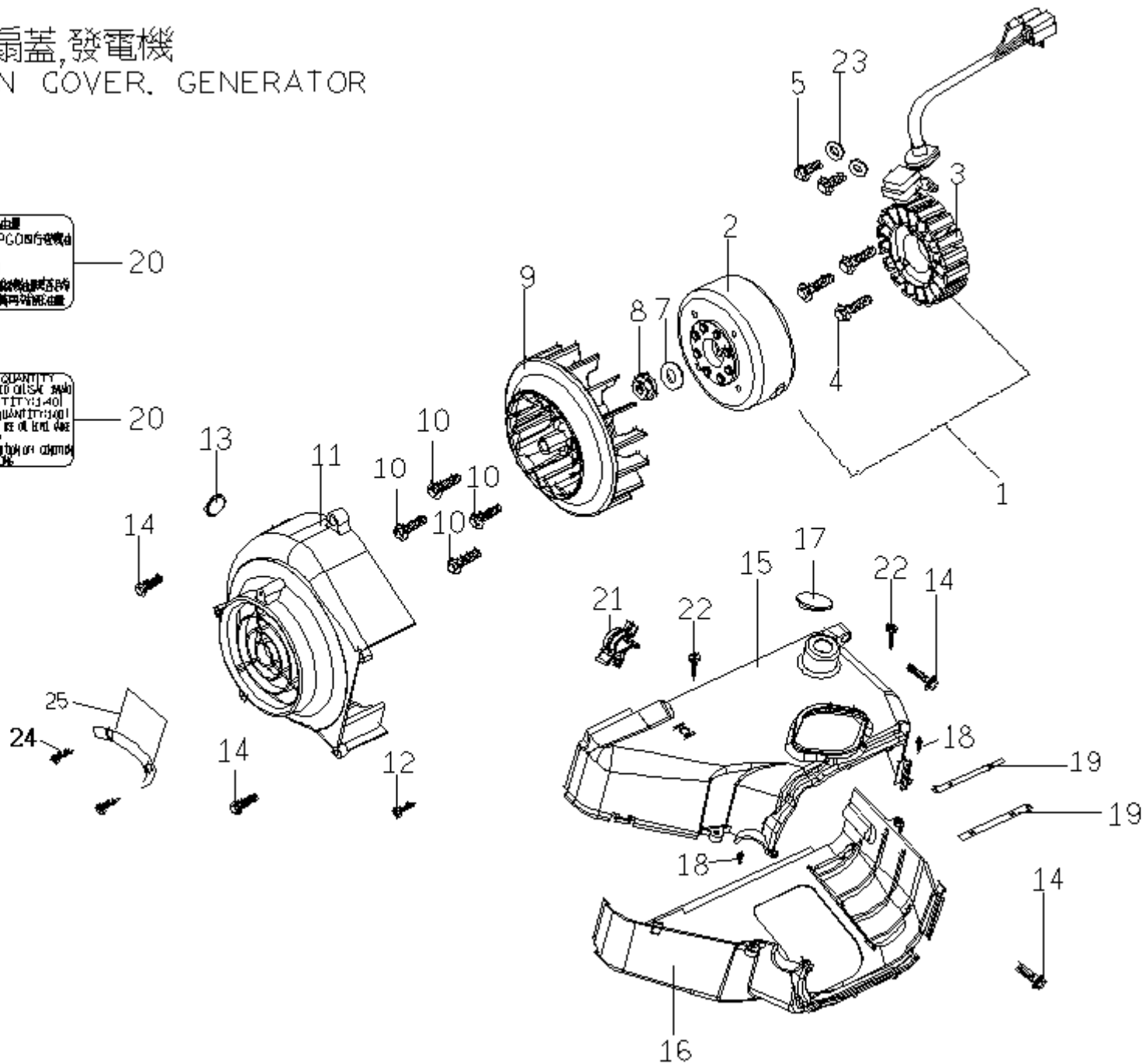


TABLE E8 GENERATOR

NO.	PART NO	QTY	PART NAME
1	C82210010000	1	FLYWHEEL GENERATOR ASSY
2	F32210100001	1	FLYWHEEL
3	C82210200000	1	STATOR COMP
4	90190603001	3	HEXAGON FLANGE BOLT (M6*30L)
5	90190501201	2	HEXAGON FLANGE BOLT (M5*12L)
7	92141200005	2	WASHER
8	92041200000	1	HEXAGON FLANGE NUT
9	C70430000000	1	FAN
10	90190601203	4	HEXAGON FLANGE BOLT
11	C70420000000	1	FAN COVER
12	90150501602	2	C-R RECESS PAN HD. TAPPING
13	C1042030000	1	RUBBER PLUG
14	90190601604	1	HEXAGON FLANGE BOLT (M6*20L)
15	C70422100000	1	COOLING COWL (2)
16	C70421200000	1	SEAL, COOLING COWL (1)
17	C1701260000	1	RUBBER PLUG
18	90130300800	2	CR ROUND HD TAPPING SCREW (M3*8L)
19	C70421200000	2	SEAL, COOLING COWL (1)
20	C76031300001	1	NOTICE LABEL ,ENGINE OIL
20	C76031400001	1	NOTICE LABEL, GEAR OIL
21	C1701290000	1	PLASTICS LOCK
22	90110401200	4	CR PAN HD TAPPING SC
23	92110500000	2	SPRING LOCK WASHER
24	90110401200	2	CR PAN HD TAPPING SC
25	C72810100000	1	HEATPROOF COVER, EXHAUST ASSY. FRT.

E9.  
起動馬達, 機油泵  
STARTING MOTOR. OIL PUMP

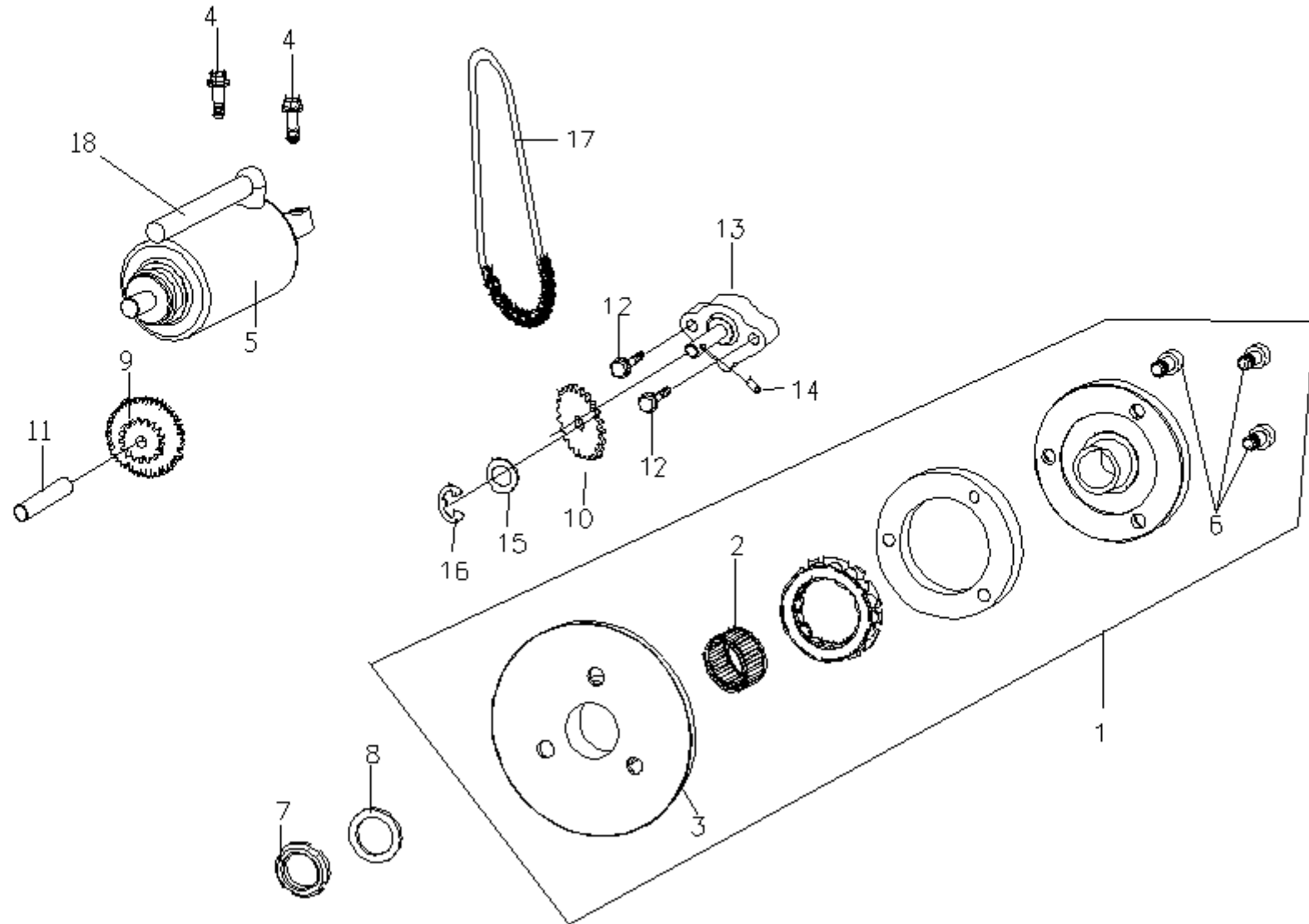



TABLE E9 STARTING MOTOR

NO.	PART NO	QTY	PART NAME
1	C72430010001	1	ONE WAY CLUTCH ASSY
2	96590283200	1	NEEDLE BEARING
3	C72440000001	1	GEAR,STARTING CLUTCH
4	90190601604	2	HEXAGON FLANGE BOLT (M6*20L)
5	C72410010000	1	START MOTOR ASSY
6	90210801600	3	HEXAGON SOCKET BOLT
7	C1243060000	1	LOCK NUT (L)
8	92142200000	1	WASHER (22*31*2.5)
9	C1242010000	1	GEAR, STARTER REDUCTION
10	C70810300000	1	OIL PUMP SPROCKET
11	C1242040000	1	SHAFT, START REDUCTION GEAR
12	90180602501	2	HEXAGON FLANGE BOLT
13	C70810010000	1	OIL PUMP COMP.
14	93560301400	1	PIN
15	92141000015	1	WASHER
16	92180800000	1	RETAINING RING E TYPE
17	C70812200000	1	CHAIN, OIL PUMP
18	C724A0200000	1	GROUNDING WIRE, START MOTOR

# E10 傳動齒輪箱

GEAR TRANSMISSION

FR. 

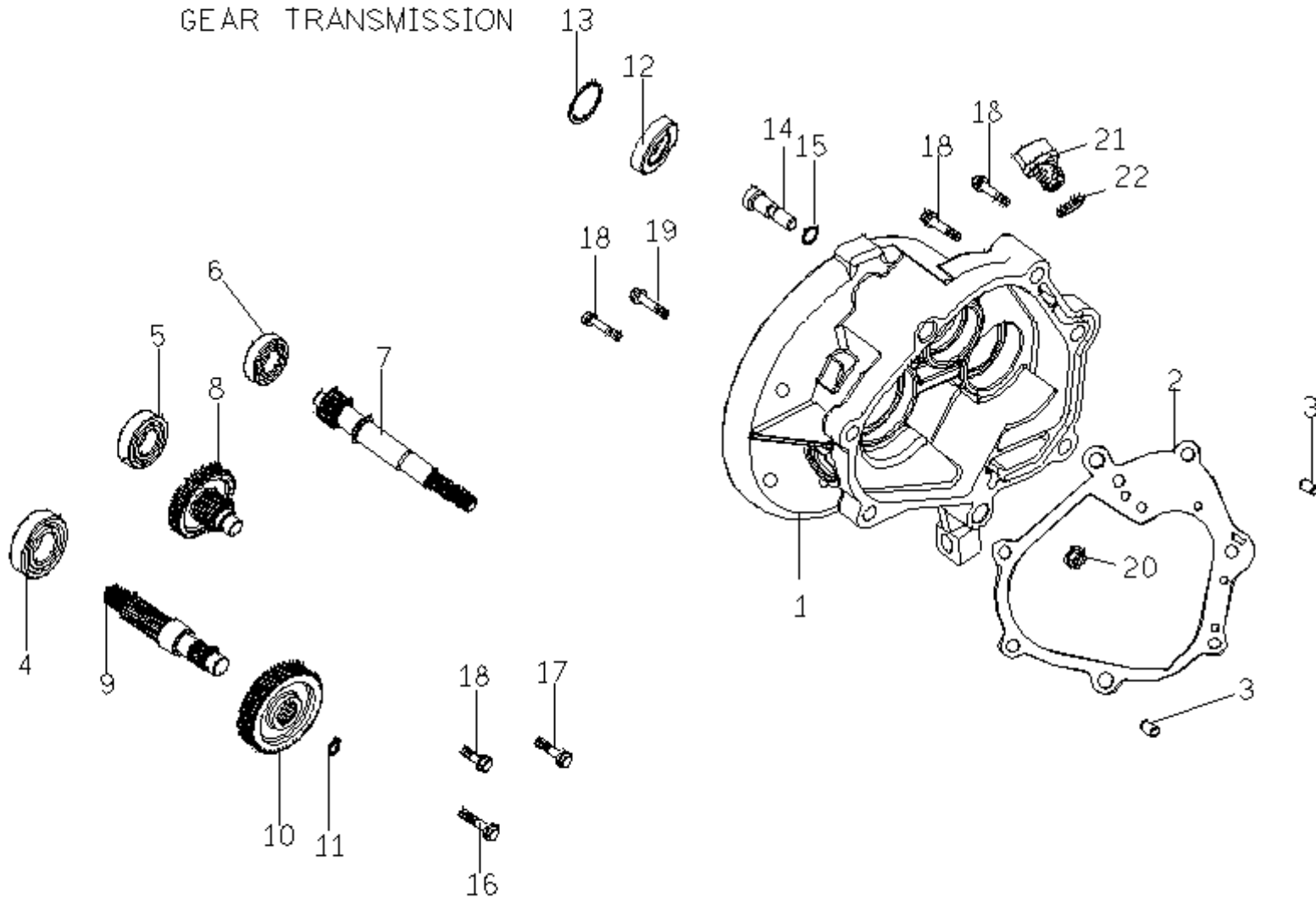


TABLE E10 GEARBOX

NO.	PART NO	QTY	PART NAME
1	C2141011000	1	TRANSMISSION COVER
2	C2141021000	1	TRANS COVER GASKET
3	93541001401	2	LOCK PIN (10*14)
4	96510630100	1	DEEP GROOVE BALL BEARING
5	96510600200	1	DEEP GROOVE BALL BEARING
6	96530622200	1	BALL BEARING, DOUBLE SEALED
7	C71411000001	1	DRIVING SHAFT
8	C71412000001	1	IDLE GEAR COMP
9	C71414100000	1	AXLE DRIVE
10	C71413100001	1	FINAL GEAR
11	92172200000	1	C TYPE RETAINING RING
12	95572742702	1	OIL SEALTC TC TYPE
13	92165000000	1	RETAINING RING C TYPE
14	M2407430000	1	PIVOT REAR BK.SHDE
15	95510800000	1	O RING(7.5*1.5)
16	90190805001	1	HEXAGON FLANGE BOLT (M8*50L)
17	90190805500	1	HEXAGON BOLT
18	90190804003	4	HEXAGON FLANGE BOLT (M8*40L)
19	90190802601	1	HEXAGON FLANGE BOLT (M8*26L)
20	92060800002	1	HEXAGON FLANGE NUT
21	P1062150000	1	OIL BOLT
22	95511300001	1	O RING

E11 空氣濾清器組合  
AIR CLEANER COMP.

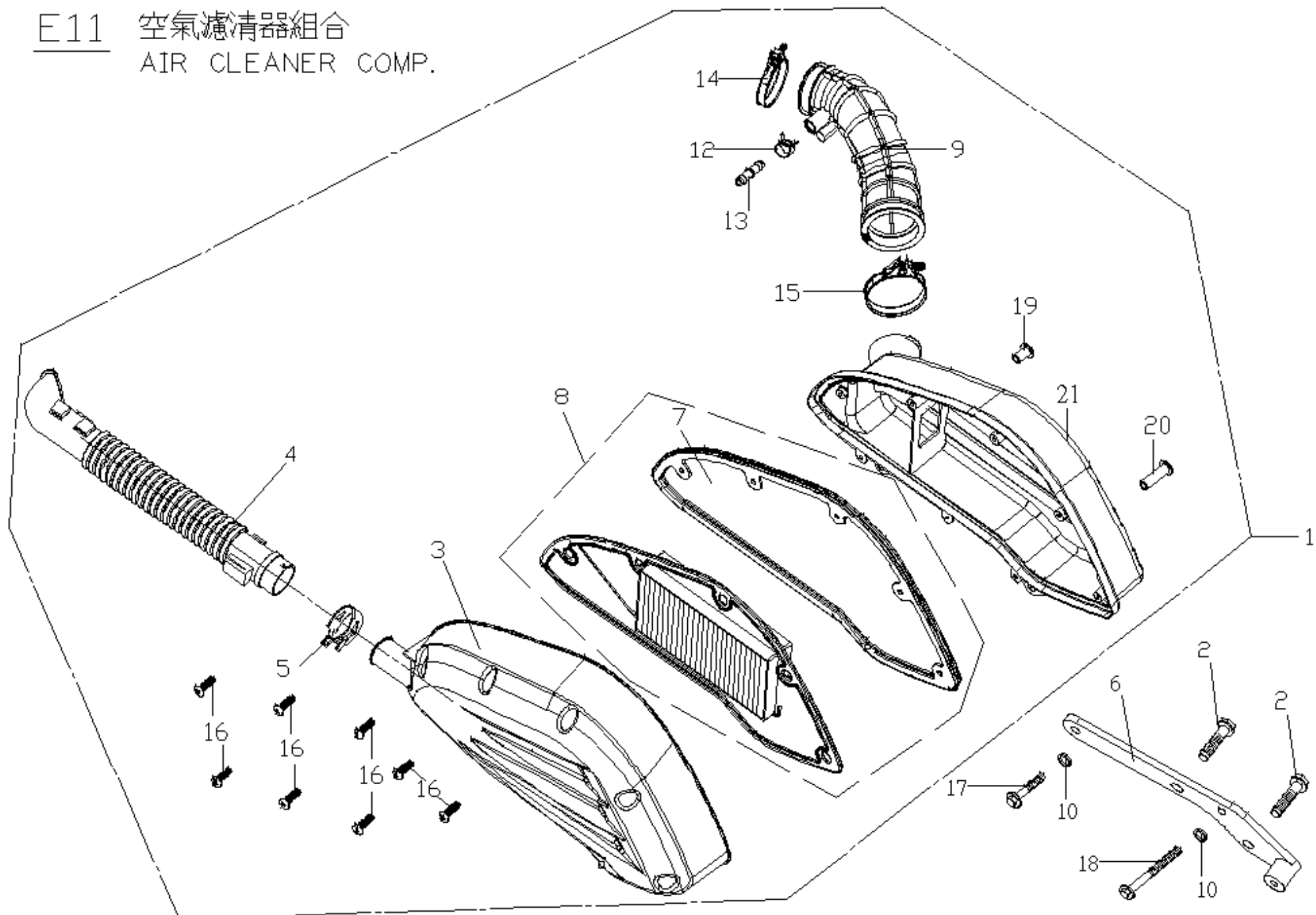


TABLE E11 AIR CLEANER

NO.	PART NO	QTY	PART NAME
1	C72620020000	1	AIR CLEANER COMP
2	90190802000	2	HEXAGON FLANGE BOLT(M8*20L)
3	C72620200000	1	AC COVER
4	P6262270000	1	INLET PIPE
5	9.22213E+11	1	HOSE CLAMP
6	C76340106000	1	BRACKET REAR FENDER
7	C72620400000	1	ELEMENT PARKING
8	C72620700000	1	DRAIN
9	C72620500000	1	JOINT DUCT
10	92140600018	1	WASHER (6.4D*13D*1T)
12	9.22213E+11	1	HOSE CLAMP
13	M2262360000	1	TUBE, TWO WAY
14	M2262110000	1	CLIP
15	M2262380000	1	CLIP
16	90150502500	8	C-R TRUSS HD.TAPPING SCREW
17	90190603500	1	HEXAGON FLANGE BOLT(M6*35L)
18	90190605502	1	HEXAGON FLANGE BOLT
19	C72620600001	1	BUSH
20	C72620600000	1	BUSH
21	C72620020000	1	AIR CLEANER BODY



E12 機油冷卻器  
OIL COOLER

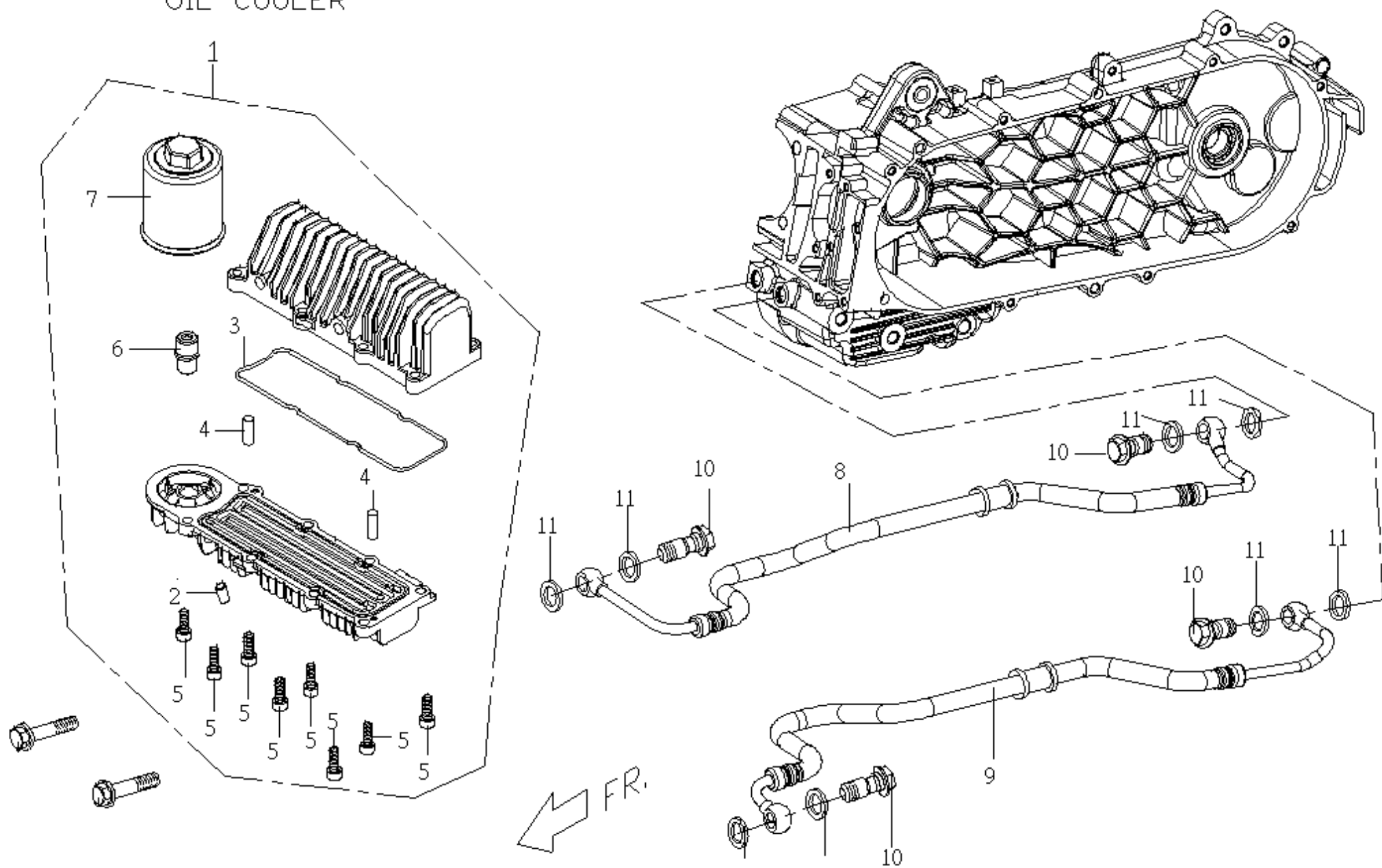


TABLE E12 OIL COOLER

NO.	PART NO	QTY	PART NAME
1	C50830110000	1	OIL COOLER ASSY
2	G1061070000	1	OIL PLUG
3	C5083040000	1	OIL SEAL
4	93560401000	2	LOCK PIN
5	90210601800	8	HEXAGON SOCKET HD. CAP SCREW
6	C5083080000	1	OIL FILTER JOINT
7	C1082020000	1	OIL FILTER
8	C70830500000	1	OIL COOLER PIPE
9	C70830610000	1	OIL COOLER PIPE(2)
10	C5083070000	4	JOINT BOLT,OIL HOSE
11	92141200006	8	WASHER

E13

消音器  
MUFFLER (EMS)

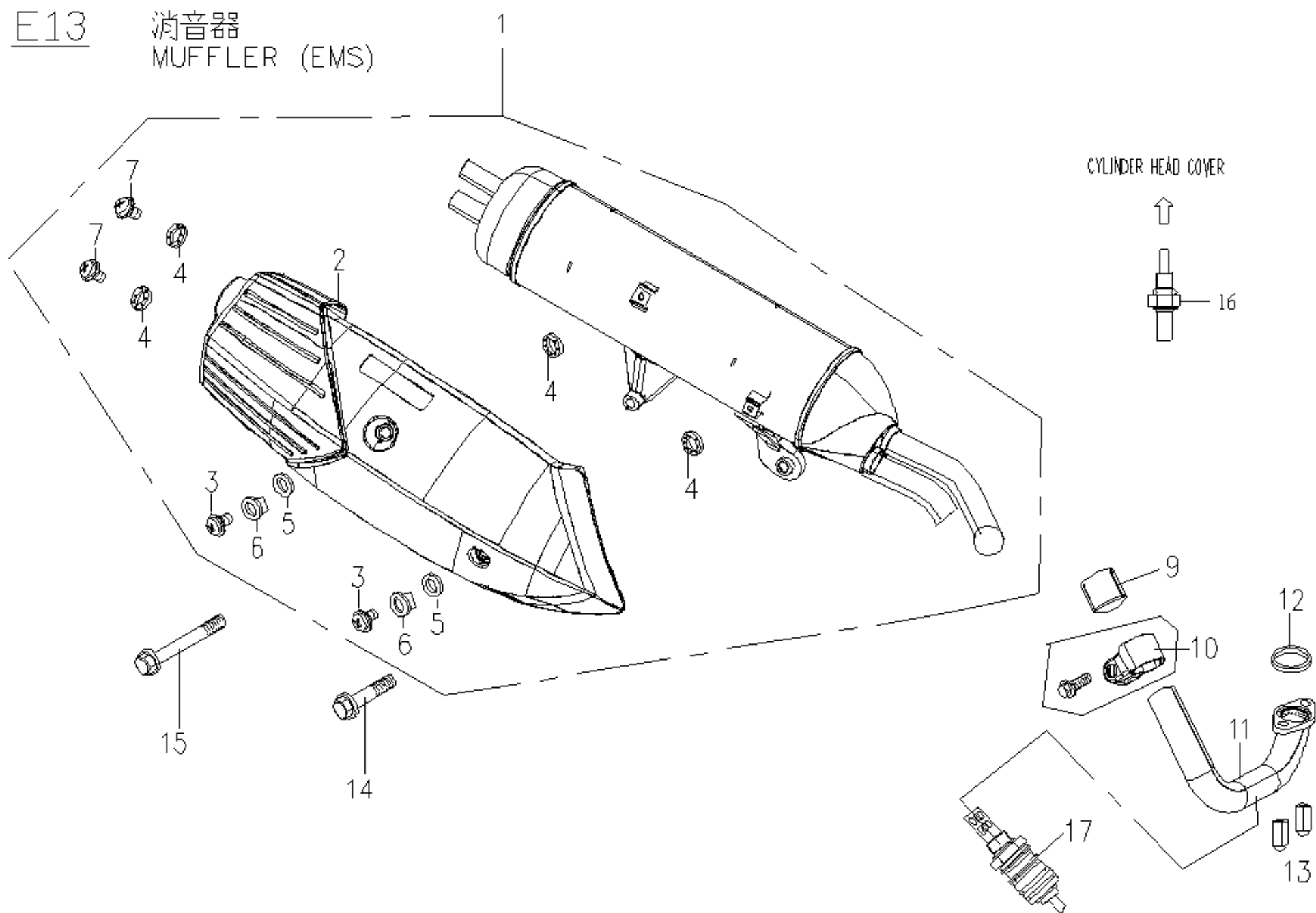


TABLE E13 MUFFLER

NO.	PART NO	QTY	PART NAME
1	C82815020005	1	MUFFLER ASSY,RR SECTION
2	M22810100006	1	HEATPROOF COVER
3	90050602000	2	C-R PAN HD MACHINE S
4	92140600015	2	WASHER(TEMPERATURE-ENDURING)
5	C328A0400000	6	CIRCLET
6	C328A020000	2	INNER SPACER
7	90050601200	2	CR ROUND HD MACHINE SCREW (M6*12L)
9	HE2810700000	1	CLOSED GASKET
10	C72810810000	1	CONNECTOR ASSY.
11	C82811000000	1	EXHAUST PIPE ASSY FRT SECTION
12	C82810200000	1	GASKET, EXHAUST PIPE
13	92050800005	2	DOMED CAP NUT
14	90191005501	1	HEXAGON FLANGE BOLT
15	90191008500	1	HEXAGON FLANGE BOLT
16	ES0716100000	1	TE SENSOR
17	F32812100000	1	O2 SENSOR

E14. 後輪  
REAR WHEEL

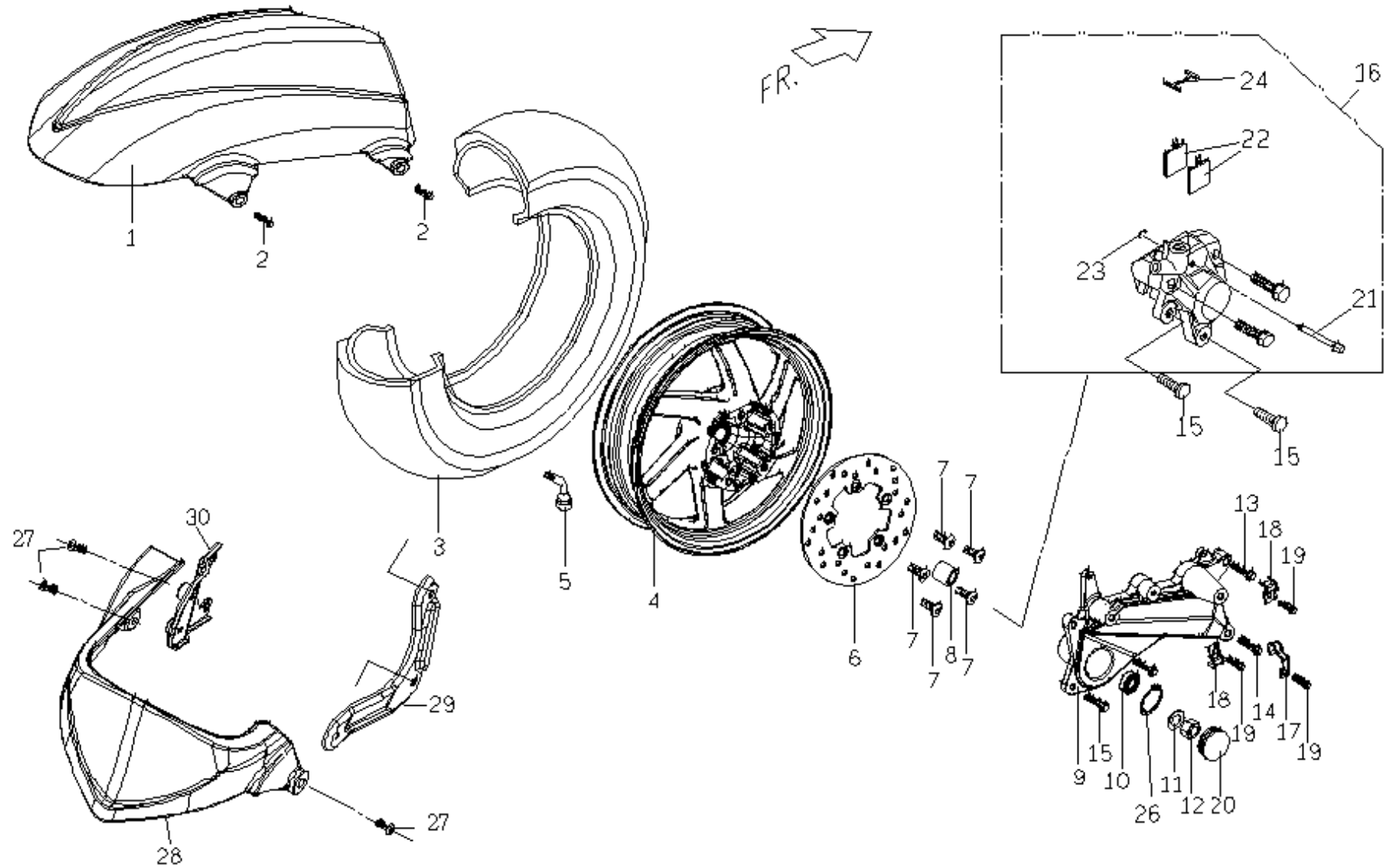


TABLE E14 REAR WHEEL

NO.	PART NO	QTY	PART NAME
1	C76340006500	1	REAR FENDER BLUR 220
2	90190601207	2	HEXAGON FLANGE BOLT(M6*1.0P*12L)
3	M240G320000	1	WHEEL,BR
4	M24061017S00	1	WHEEL COMP,REAR 13" 150CC
5	P140B330000	1	VALVE
6	M24068000001	1	DISC,REAR BRAKE
7	C1403510000	5	SCREW, FR BRAKE DISK(M8*1.25P*24L)
8	M2406840000	1	BUSH
9	M2406834000	1	REAR FORK
10	96530600300	1	BALL BEARING, DOUBLE SEALED
11	92141600002	1	PLANE WASHER
12	92011600000	1	U TYPE SPRING NUT
13	90190804501	1	HEXAGON FLANGE BOLT (M8*45L)
14	90190804501	1	HEXAGON FLANGE BOLT (M8*45L)
15	90190802601	2	HEXAGON FLANGE BOLT
16	M24066011N01	1	REAR BRAKE CALIPER
17	M2403720000	1	CLAMP,BRAKE HOSE(B)
18	M2403710000	2	CLAMP,BRAKE HOSE(A)
19	90190602002	3	HEXAGON FLANGE BOLT (M6*20L)
20	M2701050000	1	PLASTIC PLUG
21	M240F1200001	1	PAD PIN
22	M240F1700001	1	PAD ASSY
23	M240F1300001	1	PIN
24	M240F1100001	1	SPRING
26	92163500000	1	RETAINING RING C TYPE
27	90190602002	3	HEXAGON FLANGE BOLT (M6*20L)
28	M26340716500	1	REAR FENDER (LOWER)
29	M26340320001	1	REAR FENDER BRACKET,RH
30	M26340210001	1	REAR FENDER BRACKET,LH

E-15 空氣導入控制閥總成  
AIAC ASSY.

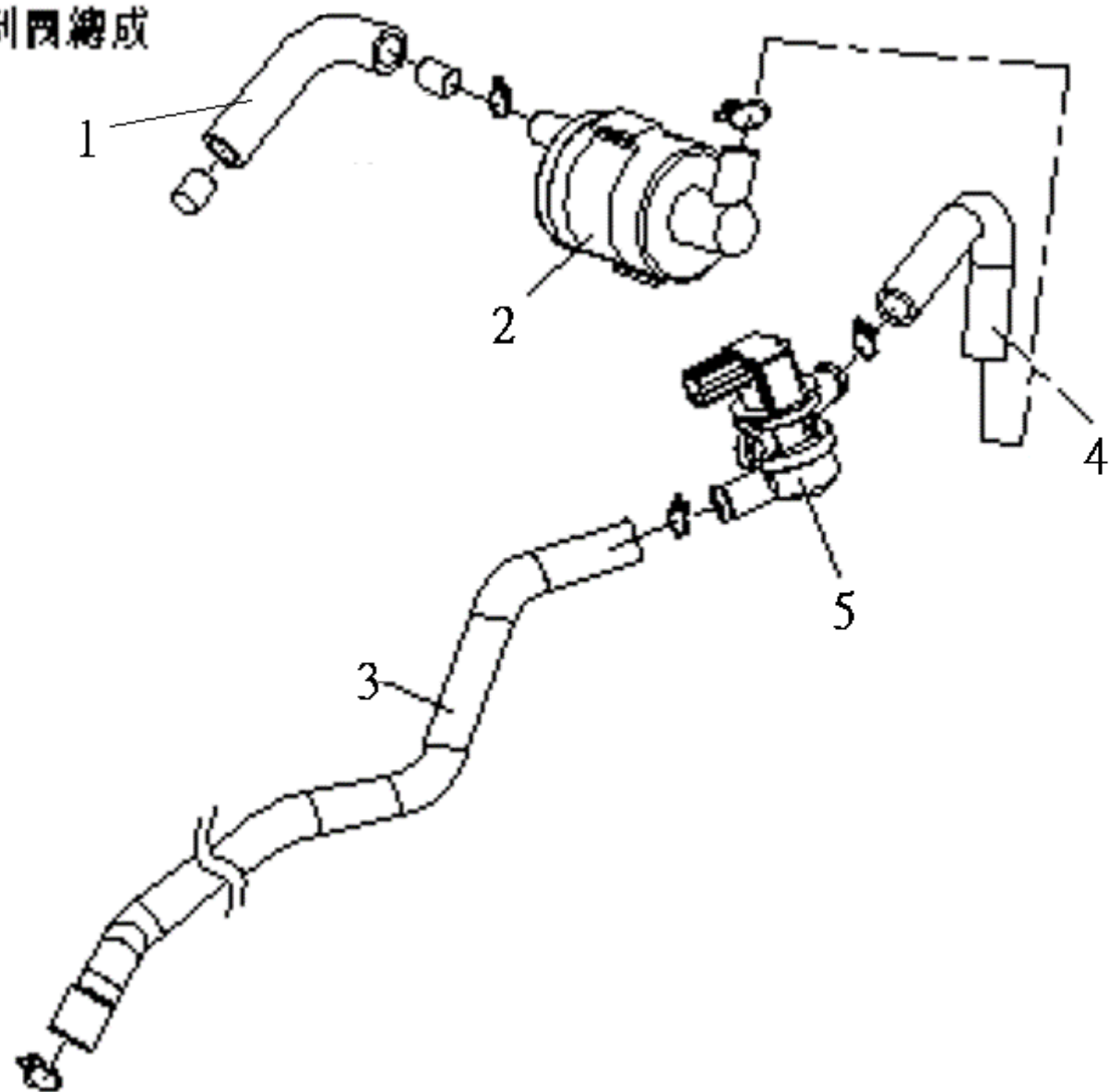


TABLE E15 AIAC ASSY

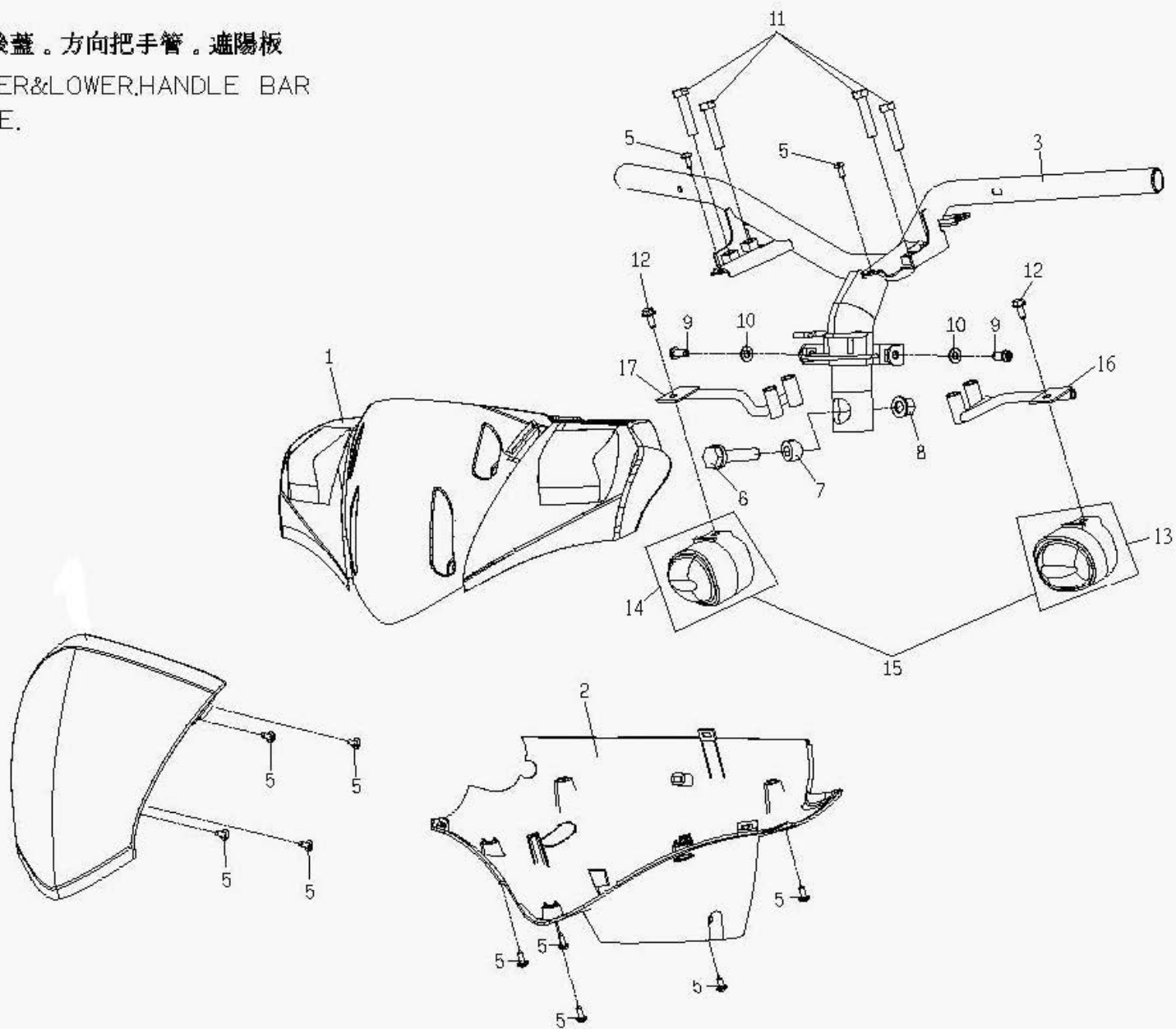
NO.	PART NO	QTY	PART NAME
1	P6286270000	1	TUBE (B) CYL.
2	M22862100002	1	AIAC COMP.
3	M22862800002	1	TUBE (B), CYL.
4	M22862700002	1	TUBE (A), CYL.
5	M25890100002	1	SOLENOID



F1

方向把手前後蓋。方向把手管。遮陽板

COVERUPPER&LOWER.HANDLE BAR  
SUN PLATE.

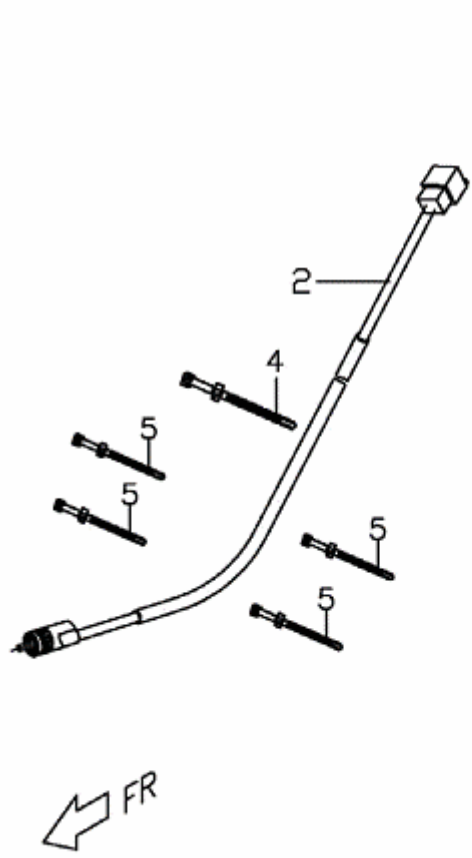


FR.

TABLE F1 HANDLE BAR

NO.	PART NO	QTY	PART NAME
1	M26130002R0	1	HANDLE COVER UPPER , ORANGE
1	M2613000690	1	HANDLE COVER UPPER , BLACK
1	M2613000710	1	HANDLE COVER UPPER, WHITE
1	M26130007N0	1	HANDLE COVER UPPER , GREY
2	M26140026500	1	HANDLE COVER LOWER, BLUR 220
3	M26120006001	1	HANDLE BAR ASSY , FROM 2007 W/GRIP ABSORBER
5	90110401200	11	CR PAN HD TAPPING SC, M4X12L
6	90191005002	1	HEXAGON FLANGE BOLT (M10*1.25P*50L)
7	C1612011000	1	SCREW WASHER
8	92061000001	2	HEXAGON FLANGE NUT - M10*1.25P
9	90040601403	2	C-R PAN HD. MACHINE SCREW
10	92140600018	2	WASHER
11	90020803201	4	HEXAGON BOLT
12	90190501201	2	HEXAGON FLANGE BOLT (M5*12L)
13	C166C0110003	1	FR SIGNAL LAMP, LH , DOT
14	C166D0110003	1	FR SIGNAL LAMP, RH
15	C166C0110003	1	TURN SIGNAL ASSY, FRONT , DOT
16	M27066400000	1	FIXED PLATE,FR TURN SIGNAL(LH)
17	M270F6400000	1	FIXED PLATE,FR TURN SIGNAL(RH)

F2 碼錶  
SPEEDOMETER (DIGITAL)



1

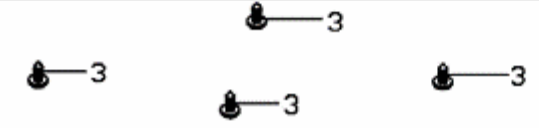
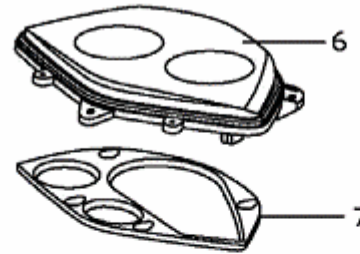
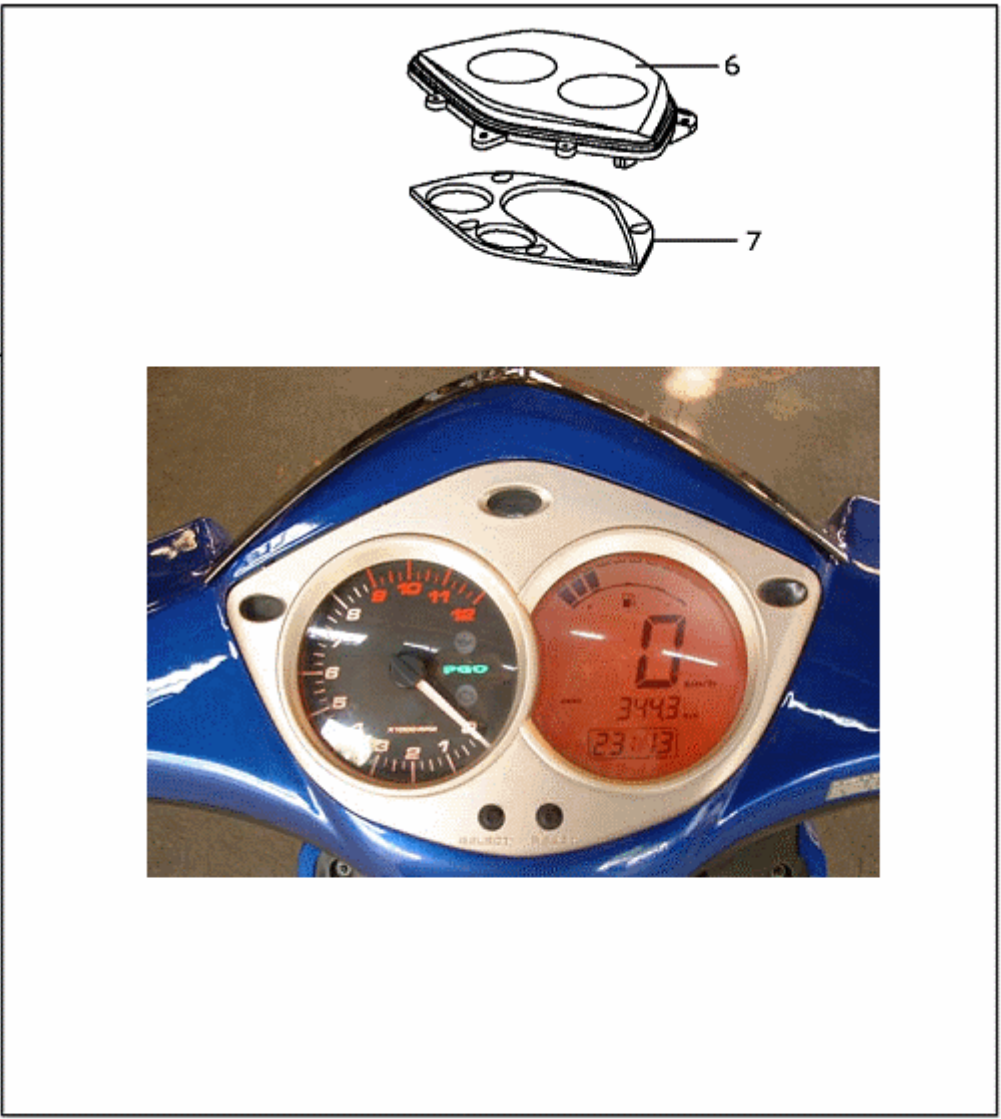


TABLE F2 SPEEDOMETER

NO.	PART NO	QTY	PART NAME
1	M2561003000J	1	SPEEDOMETER ASSY
2	P256A020000N	1	SENSOR
3	90110401600	4	CR PAN HD TAPPING SC
4	M27011500000	1	CABLE TIE
5	M27011600000	5	CABLE TIE
6	M256A020000	1	SPEEDOMETER COVER
7	M256A070000	1	PLANK

F3 導線。開關。後視鏡 (前碟後碟)  
 CABLE, SWITCH, BACK MIRROR

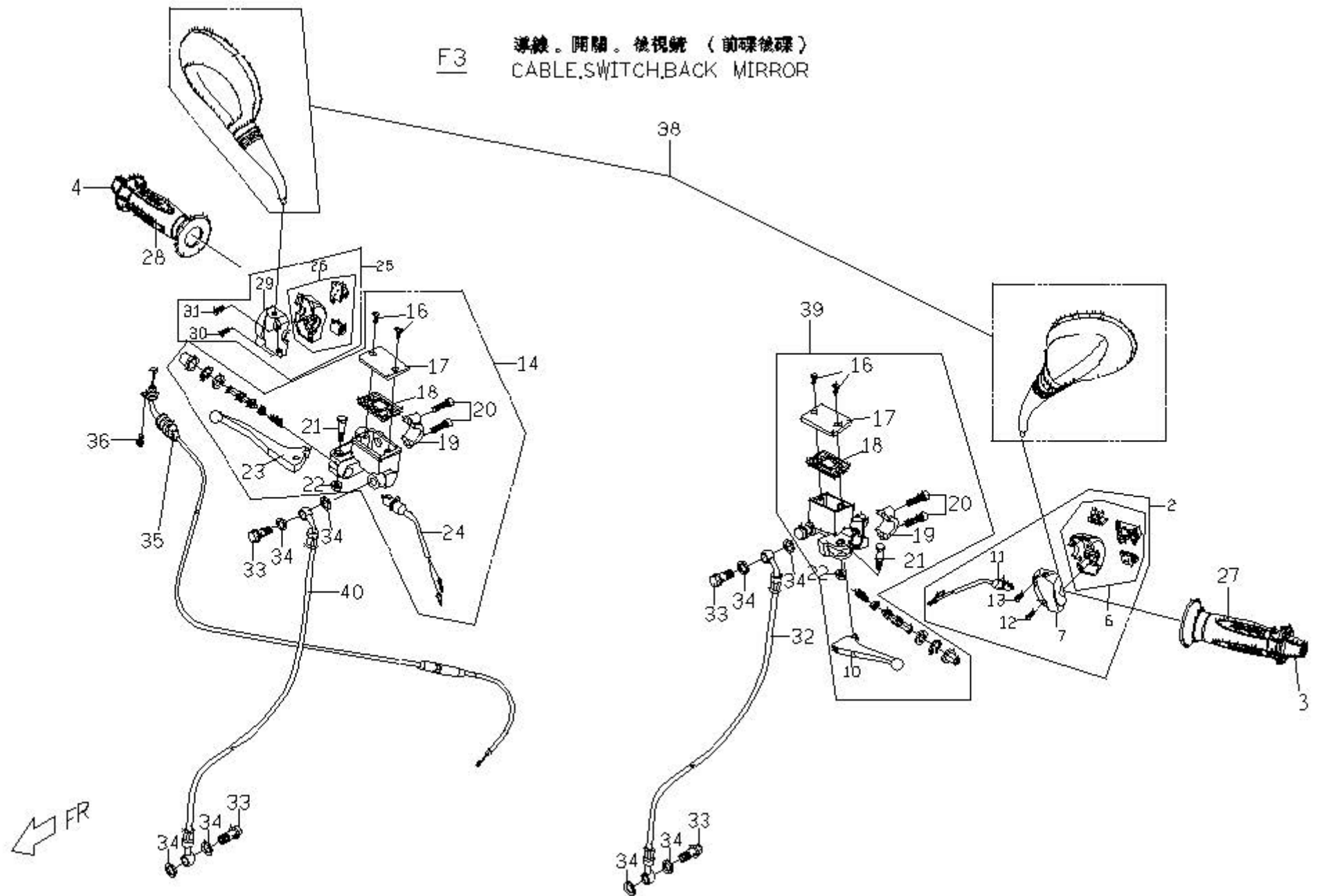


TABLE F3 CABLES, SWITCHES, MIRRORS

NO.	PART NO	QTY	PART NAME
2	M25460010000	1	HANDLEBAR SWITCH ASSY, LH
3	M2612010000N	1	BAR END, LEFT
4	M2612020000N	1	BAR END, RIGHT
6	C254F0300005	1	UPPER COVER ASSY
7	M254F020000	1	COVER UNDER
10	M240C1907S0	1	LEVER, SILVER
11	M25480300000	1	STOP LIGHT SWITCH
12	P154F390000	1	SCREW,PAN HEAD
13	P154F400000	1	SCREW,PAN HEAD
14	M24030047S00	1	FRT BRAKE MASTER CYLINDER
16	P140C130000	2	SCREW
17	P140C120000	1	CAP,RESERVOIR
18	P140C110000	2	DIAPHRAGM,RESERVOIR
19	P140C240000	2	BRACKET,MASTER CYLINDER
20	P140C250000	2	INNER BOLT
21	P140C220000	2	BOLT
22	P140C230000	2	FLANGE NUT
23	M240C1907S0	1	LEVER, SILVER
24	M25480300000	1	STOP LIGHT SWITCH
25	P25480000001	1	RH HAFT SWITCH ASSY
26	P254H0100001	1	CASE,SWITCH UNDER 2,COMP
27	P2541000000N	1	GRIP, LEFT
28	P2542000000N	1	GRIP, RIGHT
29	P154H020000	1	CASE,SWITCH UNDER 1
30	P154F400000	1	SCREW,PAN HEAD
31	P154F390000	1	SCREW,PAN HEAD
32	M2403701000	1	REAR BRAKE FLUID HOSE COMP
33	P14038110000	4	JOINT BOLT,BRAKE HOSE

TABLE F3 CABLES, SWITCHES, MIRRORS

34	92141000002	8	WASHER(10D*15D*1.5T)
35	M25446020002	1	CABLE ASSY,THROT
36	90040501200	1	CR PAN HD MACHINE SCREW(M5*12L)
38	BF6160000002	1	BACK MIRROR COMP
39	M24063047S00	1	REAR BRAKE MASTER CYLINDER
40	M24037000001	1	FR,BRAKE FLUID HOSE COMP

F4 前叉  
FRONT FORK

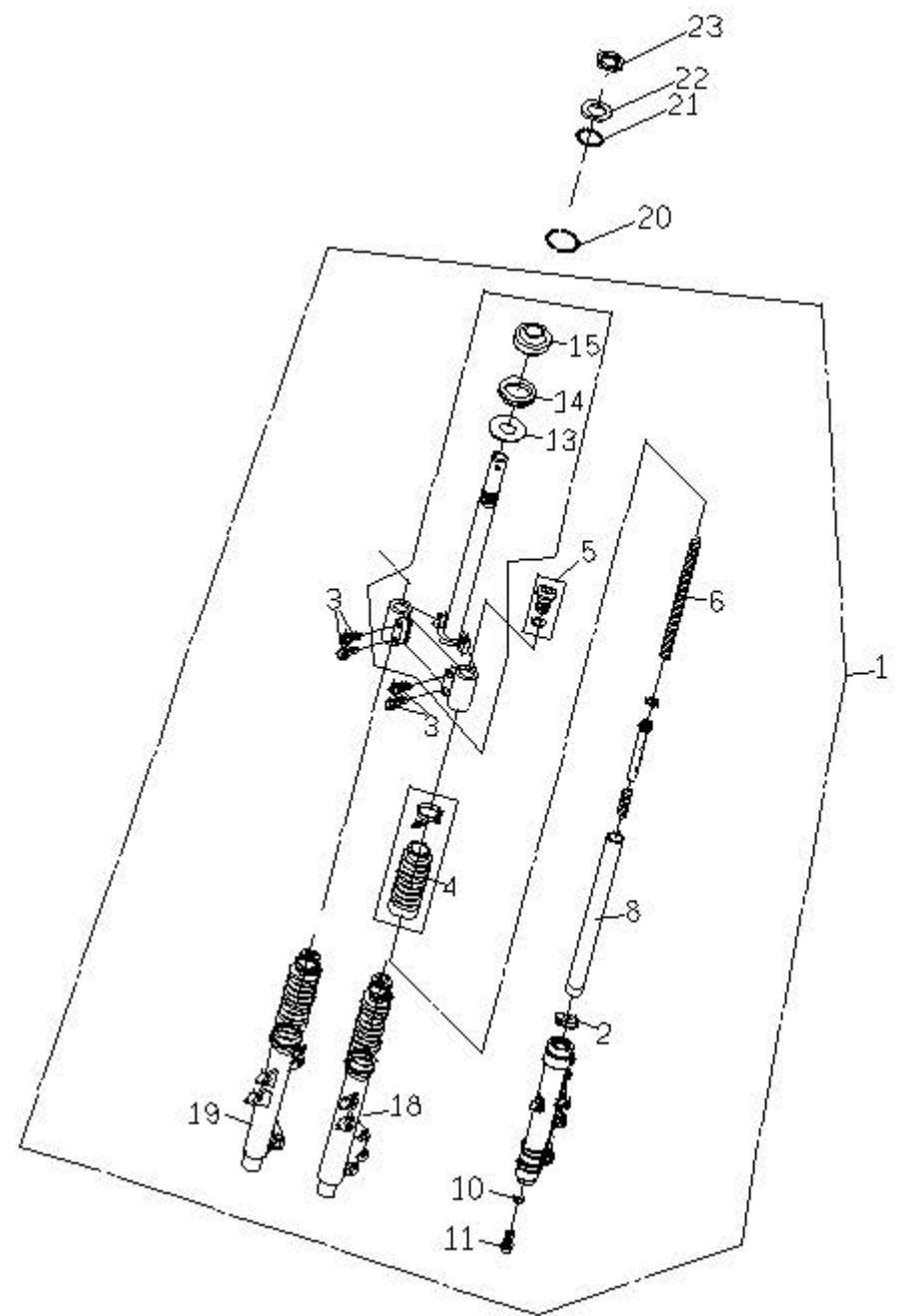
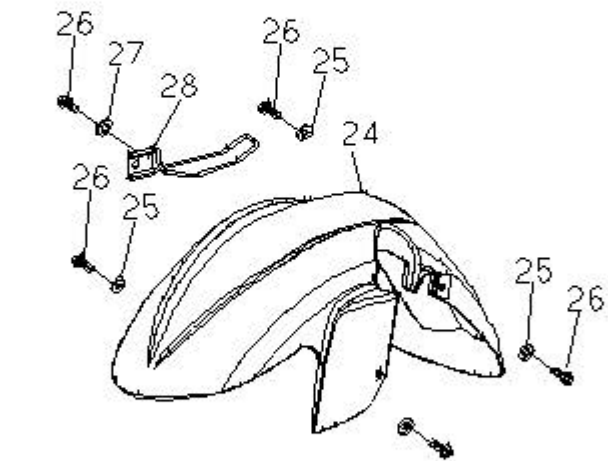




TABLE F4 FRONT FORK,FRONT FENDER

NO.	PART NO	QTY	PART NAME
1	M24430017202	1	FRONT FORK ASSY.
2	C144C160000	2	OIL SEAL
3	C144C030000	4	HEXAGON FLANGE BOLT
4	C144C040000	2	BOOT
5	C144C050000	2	BOLT ASSY.
6	M244C061000	2	BIG SPRING
8	C144C080000	2	INNER.TUBE COMP
10	C144C100000	2	COPPER BUSH
11	C144C110000	2	HEXAGON BOLT
13	C144C130000	1	GASKET
14	P244C040000	1	COVER
15	C144C150000	1	INNER BEARING CAGE
18	M244C2106D02	1	OUTER TUBE ASSY. LH
19	M244C2206D02	1	OUTER TUBE ASSY. RH
20	99010600000	19	BEARING BALL(1/4")
21	96630340400	26	BALL BEARING CAGE(5/32")
22	E1444050000	1	UPPER RING-SHAPE NUT
23	E1444040000	1	STEERING SHAFT LOCK NUT
24	M26320017N0	1	FRONT FENDER BLUR 220 GUN METAL
24	M2632001710	1	FRONT FENDER BLUR 220 WHITE
25	92140600018	5	WASHER
26	90040601600	6	CR PAN HD MACHINE SCREW(M6*16L
27	92110600000	5	SPRING WASHER(6D*1.8T)
28	M2544020000	1	CLIP COMP. BRAKE (L.H)

F5

輪胎, 前輪圈, 碟式煞車夾  
TIRE, FRT WHEEL, FRT CALIPER.

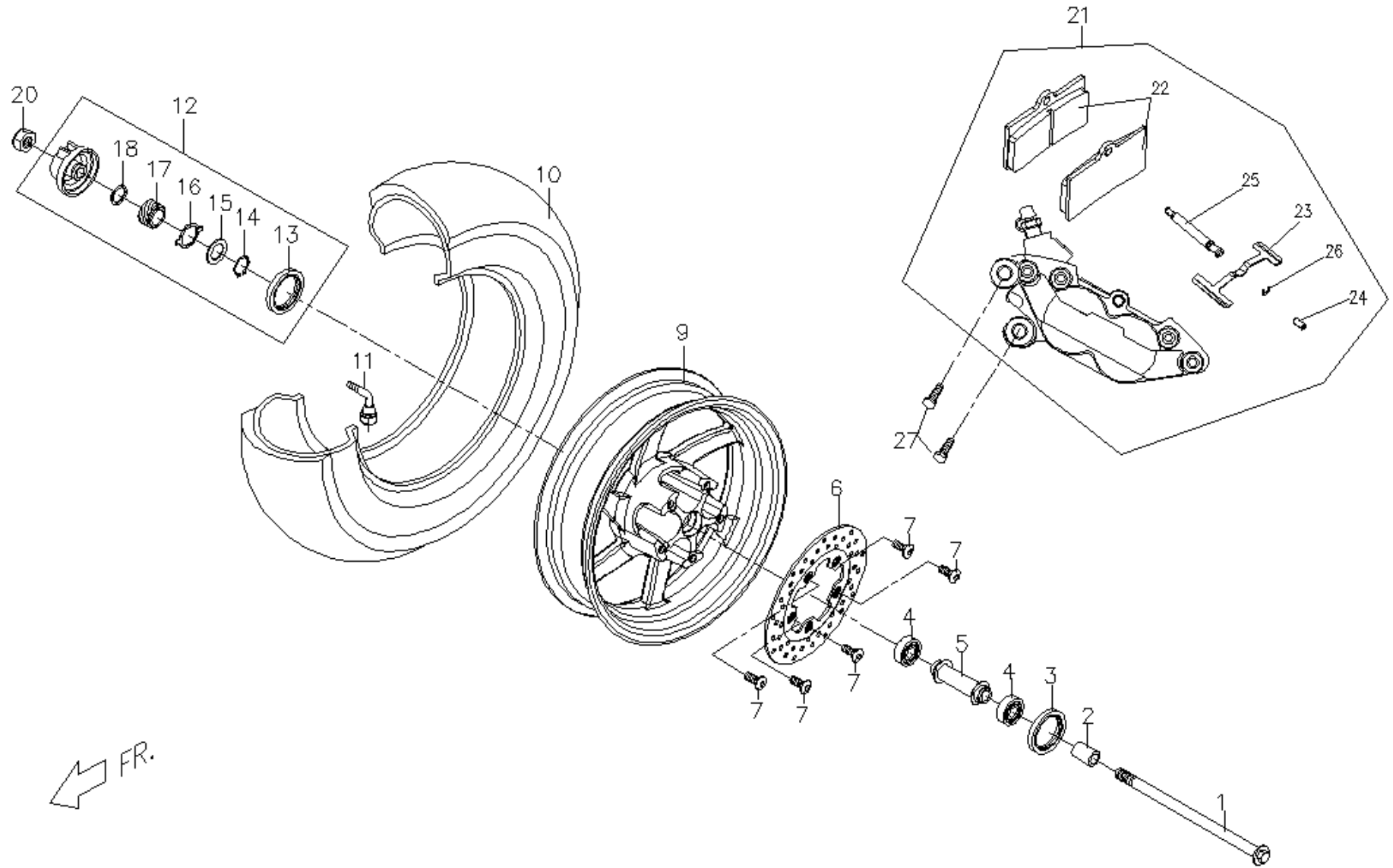


TABLE F5 FRONT WHEEL

NO.	PART NO	QTY	PART NAME
1	C14025010000	1	AXLE , FR WHEEL
2	P1401010000	1	SPACER
3	95572235700	1	OIL SEAL, TC TYPE
4	96520620100	2	ONE SHIELD BALL BEARING
5	P9402401000	1	SPACER COMP
6	M24035000004	1	DISC,FRONT BRAKE
7	C1403510000	5	SCREW, FR BRAKE DISK(M8*1.25P*24L)
9	M24011027S00	1	WHEEL COMP, FRONT 13"
10	M240B320000	1	FRONT TIRE
11	P140B330000	1	VALVE
12	P15660050000	1	METER GEAR ASSY
13	95574052600	1	OIL SEAL
14	92171800000	1	C CLIP
15	92141900001	1	PLAIN WASHER
16	P1566050000	1	PAD
17	P1566040000	1	SPEEDMETER GEAR
18	92141900002	1	PLAIN WASHER
20	92061200001	1	LOCK NUT
21	M240C3021N00	1	CALIPER ASSY,DISC
22	M240C0110000	1	BRAKES-THIN COMP
23	M240C020000	1	YOKE SPRING
24	M240C040000	1	SPRING PIN
25	M240C0500000	1	BRAKES-THIN PIN
26	M240C030000	1	RETAINING RING
27	90191004003	2	HEXAGON FLANGE BOLT

F6 擋風板。前內蓋。前大燈  
 WINDSHIELD.FRT INNER CONER.  
 FRT HEAD LIGHT.

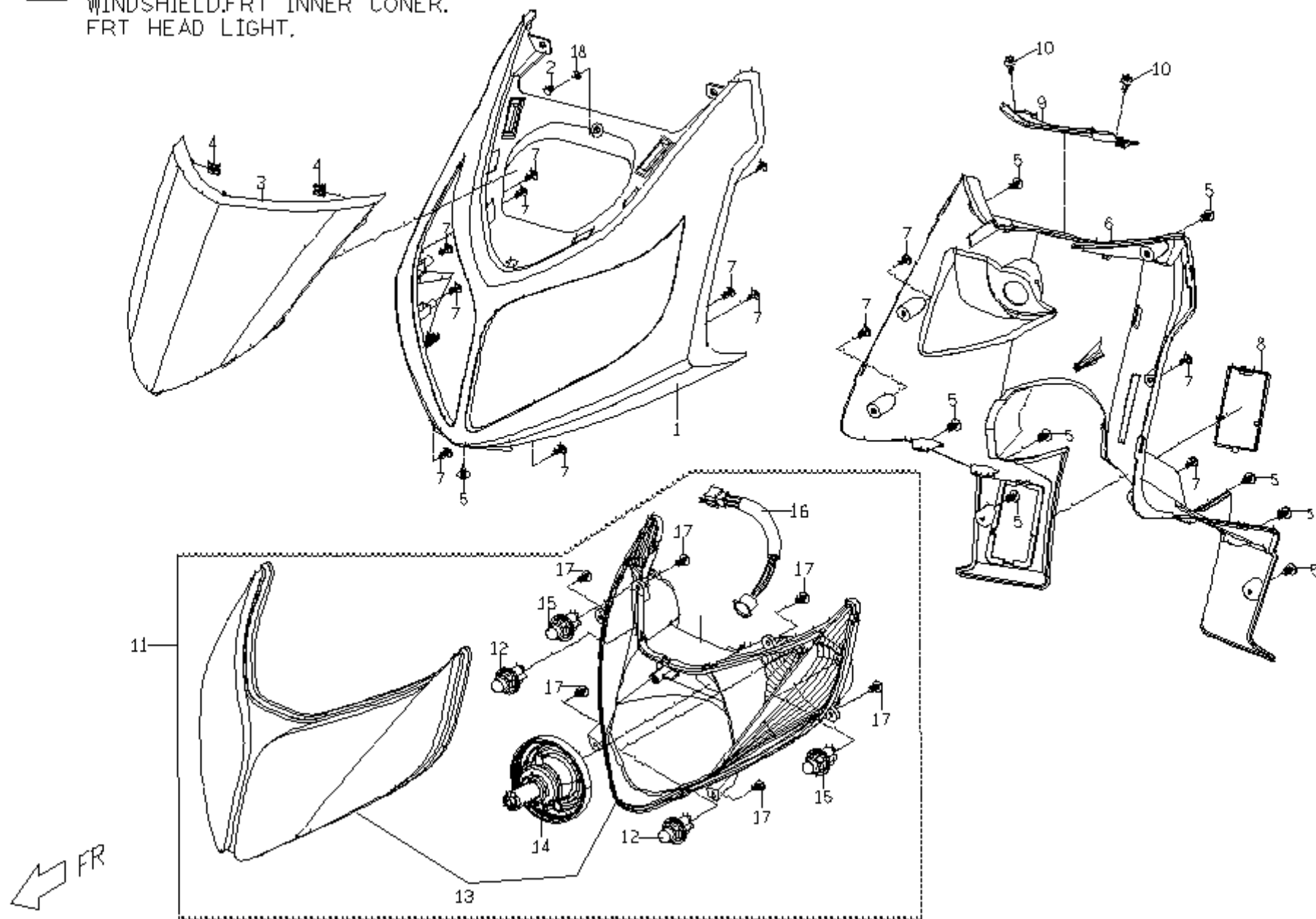


TABLE F6 WINDSHIELD

NO.	PART NO	QTY	PART NAME
1	M26210007N0	1	WINDSHIELD - BLUR 220 GUN METAL
1	M2621000710	1	WINDSHIELD - BLUR 220 WHITE
2	90040601601	2	CR PAN HD MACHINE SCREW(M6*14L
3	M2621010690	1	WINDSHIELD COVER,FR.
4	92370500003	2	U TYPE SPRING NUT
5	90130501401	9	C-R RECESS PAN HD. TAPPING
6	M262C0136500	1	FRONT INNER COVER
7	90130501401	4	C-R RECESS PAN HD. TAPPING
8	M26230116500	1	COVER,VIN
9	M26230216500	1	PANEL,FRT.INNER COVER
10	M2701010000	2	PUSH RIVET
11	M26610010004	1	HEAD LIGHT ASSY.
12	98231230000	2	SEAT LIGHT
13	M266A0200003	1	CASE
14	98151260551	1	HEADLAMP BULB
15	98231205000	2	SMALL BULB
16	M266A0000003	1	ELECTRIC WIRE COMP
17	90130501401	6	C-R RECESS PAN HD. TAPPING
18	92140600018	1	WASHER (6.4D*13D*1T)

F7 脚踏板。  
STEP FLOOR,STEP PLATE.

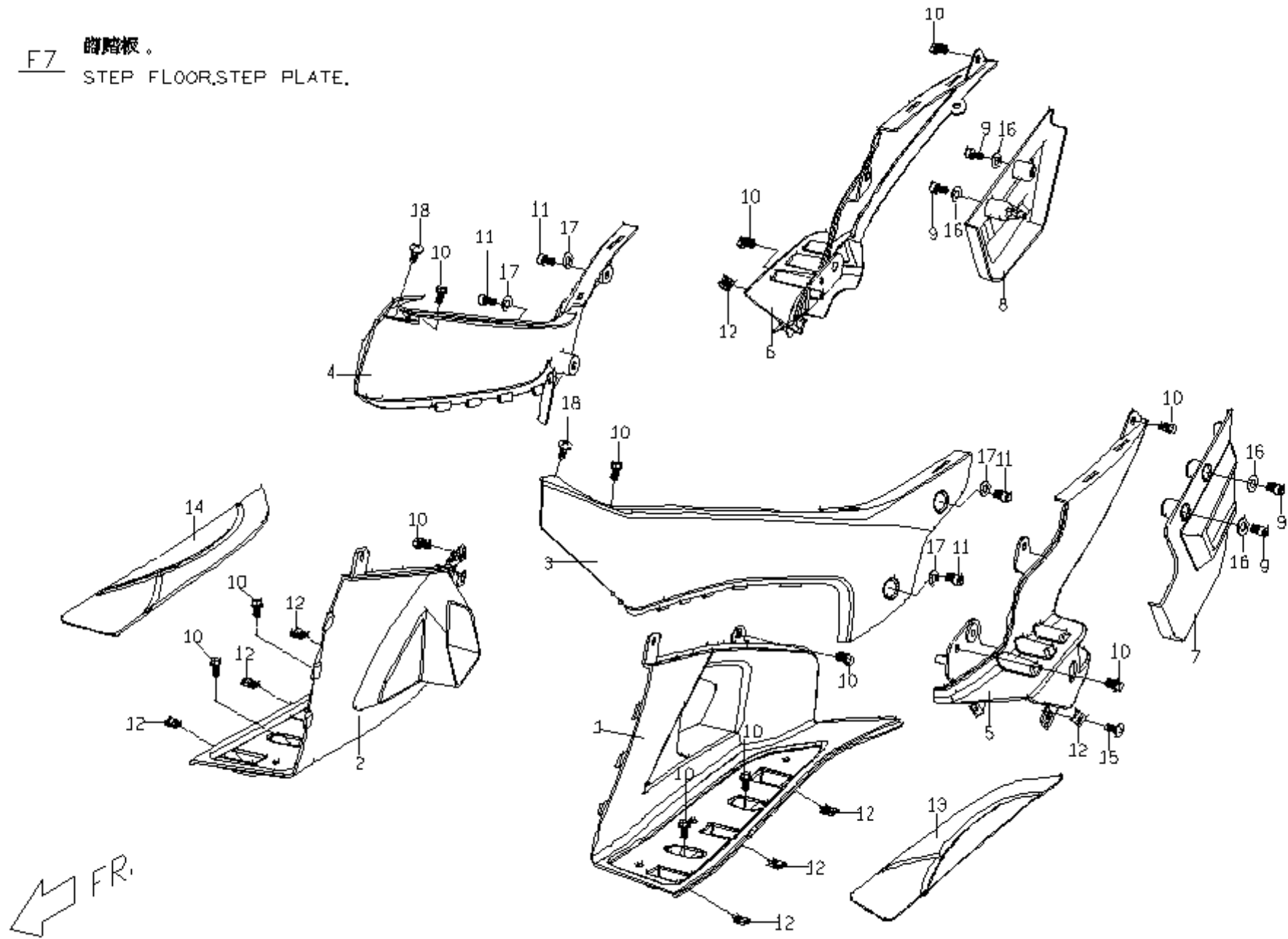


TABLE F7 STEPFLOOR

NO.	PART NO	QTY	PART NAME
1	M26240026500	1	STEP FLOOR,LH BLUR 220
2	M262D0026500	1	STEP FLOOR,RH BLUR 220
3	M26240117R0	1	KEEL COVER, LH BLUR 220 (GUN METAL)
3	M2624011710	1	KEEL COVER, LH BLUR 220 (WHITE)
4	M262D0117R0	1	KEEL COVER, RH BLUR 220 (GUN METAL)
4	M262D011710	1	KEEL COVER, LH BLUR 220 (WHITE)
5	M26240226500	1	PANEL COVER,PEDAL LEVER(LH)
6	M262D0226500	1	PANEL COVER,PEDAL LEVER(RH)
7	M26240816505	1	LH HANGER COVER BLUR 220
8	M26240716505	1	RH HANGER COVER BLUR 220
9	90040601403	4	C-R PAN HD. MACHINE SCREW
10	90040601403	8	C-R PAN HD. MACHINE SCREW
11	90210602006	4	HEXAGON SOCKET HEAD CAP SCREW
12	92370500003	2	U TYPE SPRING NUT
13	M2624500000	1	MAT,STEP FLOOR(LH)
14	M262D500000	1	MAT,STEP FLOOR(RH)
15	90110401200	4	CR PAN HD TAPPING SC
16	92140600018	4	WASHER (6.4D*13D*1T)
17	92140600018	4	WASHER
18	90130501401	2	C-R RECESS PAN HD. TAPPING

F8 前下蓋, 腳踏板下蓋蓋, 前土除  
 FRT LOWER COVER, STEP FLOOR LOWER  
 COVER, FRONT FENDER

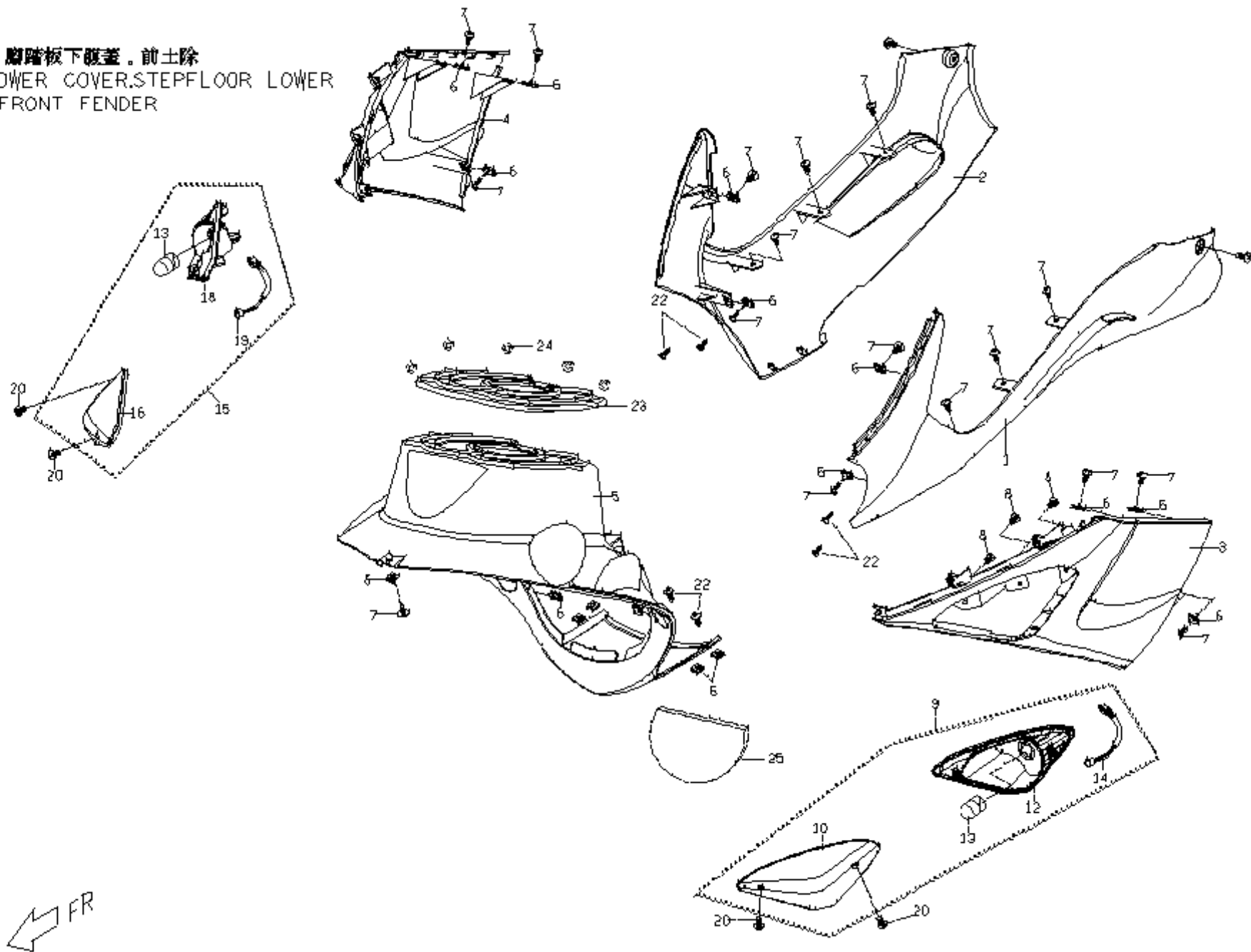




TABLE F8 FRT LOWER COVER.STEPFLOOR LOWER COVER.FRONT FENI

NO.	PART NO	QTY	PART NAME
1	M26263017N00	1	LOWER COVER(LEFT) BLUR 220 GUN METAL
1	M26263017100	1	LOWER COVER(LEFT) BLUR 220 WHITE
2	M26265037N00	1	LOWER COVER(RIGHT) BLUR 220 GUN METAL
2	M26265037100	1	LOWER COVER(RIGHT) BLUR 220 WHITE
3	M26213007R0	1	TURN SIGNAL FRONT ASSY,INNER COVER (LH) BLUR 220 (GRAY)
3	M2621300710	1	TURN SIGNAL FRONT ASSY,INNER COVER (LH) BLUR 220 (WHITE)
4	M262A3007R0	1	TURN SIGNAL FRONT ASSY,INNER COVER (RH) BLUR 220 (GRAY)
4	M262A300710	1	TURN SIGNAL FRONT ASSY,INNER COVER (RH) BLUR 220 (WHITE)
5	M2633001650	1	LOWER COVER,FRONT
6	92370500003	6	U TYPE SPRING NUT
7	90130501401	2	C-R RECESS PAN HD. TAPPING
8	90130501401	6	C-R RECESS PAN HD. TAPPING
9	C166C0110003	1	FR SIGNAL LAMP, LH
10	M266C020000	1	LAMP COVER ,LEFT
12	M266C010000	1	TURN SIGNAL LAMP BASE (LH) BLUR
13	98221210990	2	BULB
14	M266C060000	1	WIRE.
15	C166D0110003	1	FR SIGNAL LAMP, RH
16	M266D020000	1	LAMP COVER, RH
18	M266D010000	1	TURN SIGNAL LAMP BASE (RH) BLUR
19	M266D060000	1	WIRE.
20	M266C050000	4	SCREW
22	90130501401	6	C-R RECESS PAN HD. TAPPING
23	M2701090000	1	WATERPROOF PLATE
24	E9666080000	5	FIXED PLATE

F9 車身蓋。中間蓋。後行李架。車身下圍蓋。  
 BODY COVER,MIDDLE COVER,  
 RR LUGGAGE,BODY LOWER COVER.

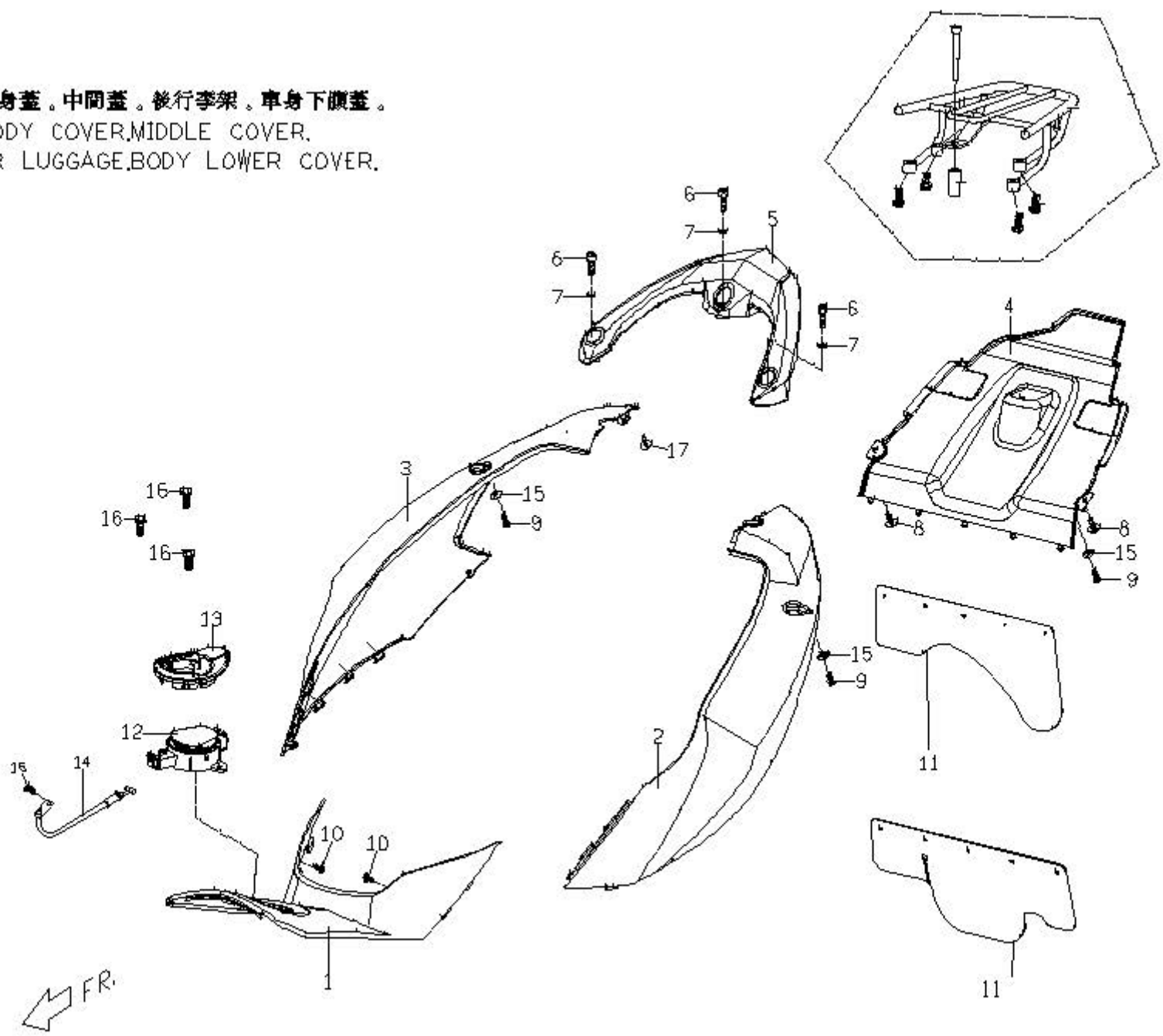


TABLE F9 BODY COVERS

NO.	PART NO	QTY	PART NAME
1	M26250126500	1	FUEL TANK COVER, FR. BLUR 220
2	M2625300710	1	BODY COVER,LH BLUR 220 WHITE
2	M26253007N0	1	BODY COVER, LH BLUR 220 GUN METAL
3	M2625500710	1	BODY COVER, RH BLUR 220 WHITE
3	M26255007N0	1	BODY COVER, RH BLUR 220 GUN METAL
4	M26250216500	1	BODY COVER,LOWER
5	M26760007R0	1	RR LUGGAGE BRACKET BLUR 220 GUN METAL
5	M2676000710	1	RR LUGGAGE BRACKET BLUR 220 WHITE
6	90210803504	3	HEXAGON SOCKET HEAD BOLT
7	92140800010	3	WASHER
8	90130501401	2	C-R RECESS PAN HD. TAPPING
9	90040601403	1	C-R PAN HD. MACHINE SCREW
10	90130501401	1	C-R RECESS PAN HD. TAPPING
11	M2701020000	1	WATERPROOF PLATE
12	M25213020000	1	TANK COVER
13	M25213210000	1	TANK ,INNER COVER
14	M25213110000	1	TANK COVER LEVER CABLE
15	92140600018	2	WASHER (6.4D*13D*1T)
16	90190601502	3	HEXAGON FLANGE BOLT(M6*15L)

**F10 座墊。前置物箱。後置物箱**  
**SEAT,FR LUGGAGE.**  
**BACK LUGGAGE .**

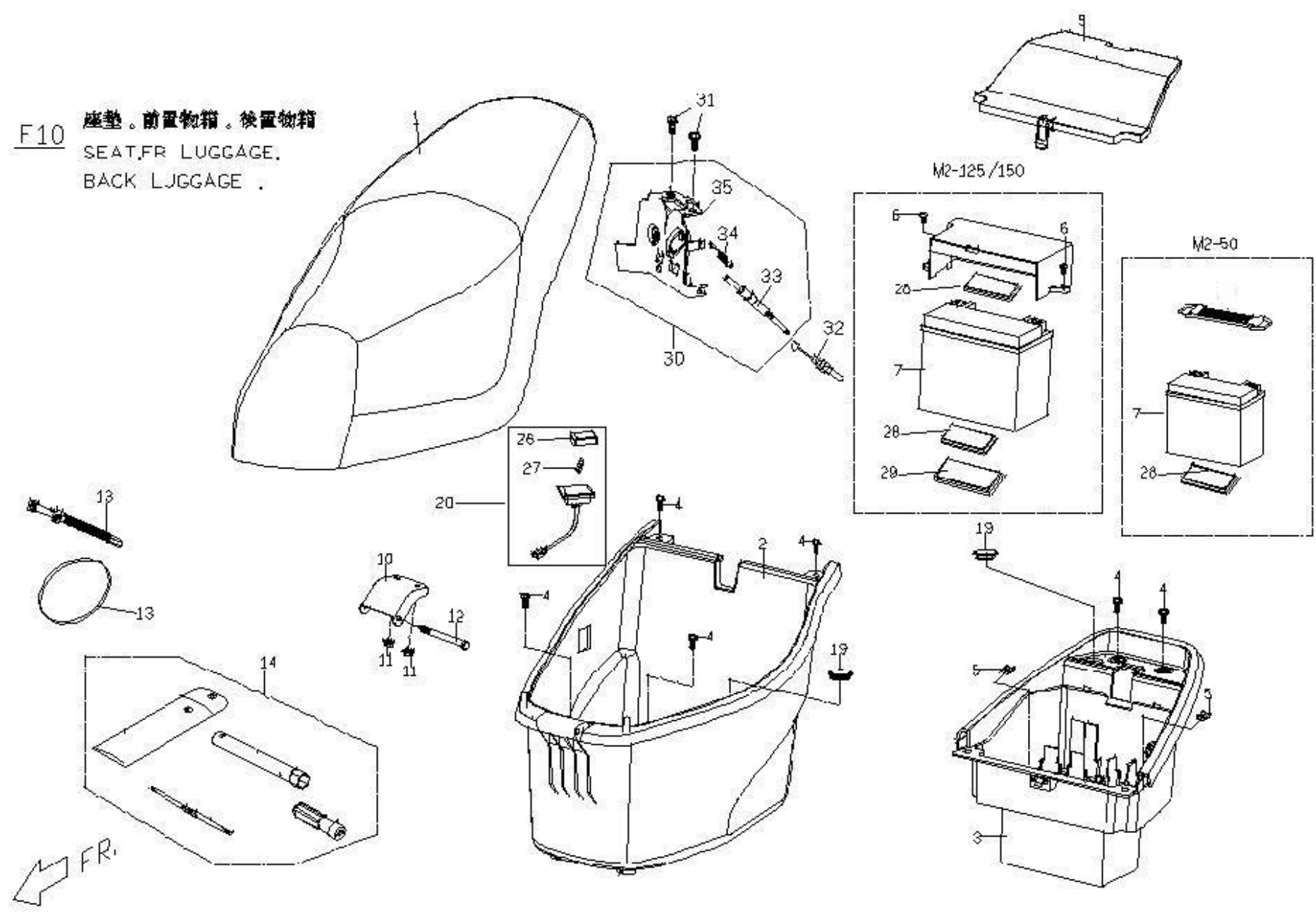


TABLE F10 SEAT

NO.	PART NO	QTY	PART NAME
1	M26710000006	1	SEAT COMP.
2	M26810020001	1	HELMET CASE ASSY,FR.
3	M26810110000	1	HELMET CASE ASSY, REAR SECTION
4	90200602001	6	BOLT WITH WASHER
5	92370500003	2	U TYPE SPRING NUT
6	90040601403	2	C-R PAN HD. MACHINE SCREW
7	C1583000000	1	BATTERY ASSY
9	M2624030650	1	COVER, BATTERY
10	C1681060000	1	BRACKET, LUGGAGE
11	92040600000	2	HEXAGON FLANGE NUT (M6*1.0P)
12	C1681070000	1	SPECIAL BOLT
13	M2701040000	1	REMOVEABLE CABLE TIE
14	P6706540000	1	TOOL SET
19	C1042030000	2	RUBBER PLUG
20	M2681020000	1	LUGGAGE LIGHTING LAMP
26	M268A010000	1	LAMP SHELL
27	M268A040000	1	LIGHT BULB COMP.
28	M25831000000	2	BATTERY PACKING
29	CB5831000000	1	BATTERY PACKING
29	P15830100001	1	BATTERY BUSH
30	M2671301000	1	SEATLOCK ASSY
31	90040601403	2	C-R PAN HD. MACHINE SCREW
32	C26711210000	1	SEAT LOCK LEVER CABLE
33	M267A320000	1	ELECTRIC WIRE COMP.
34	90110401600	1	CR PAN HD TAPPING SC
35	P25816300000	1	CONNECTING WIRE, SOCKET

F11 牌照板。反光片。後燈。  
 LICENSE PLATE, REFLECTOR,  
 BACK LAMP.

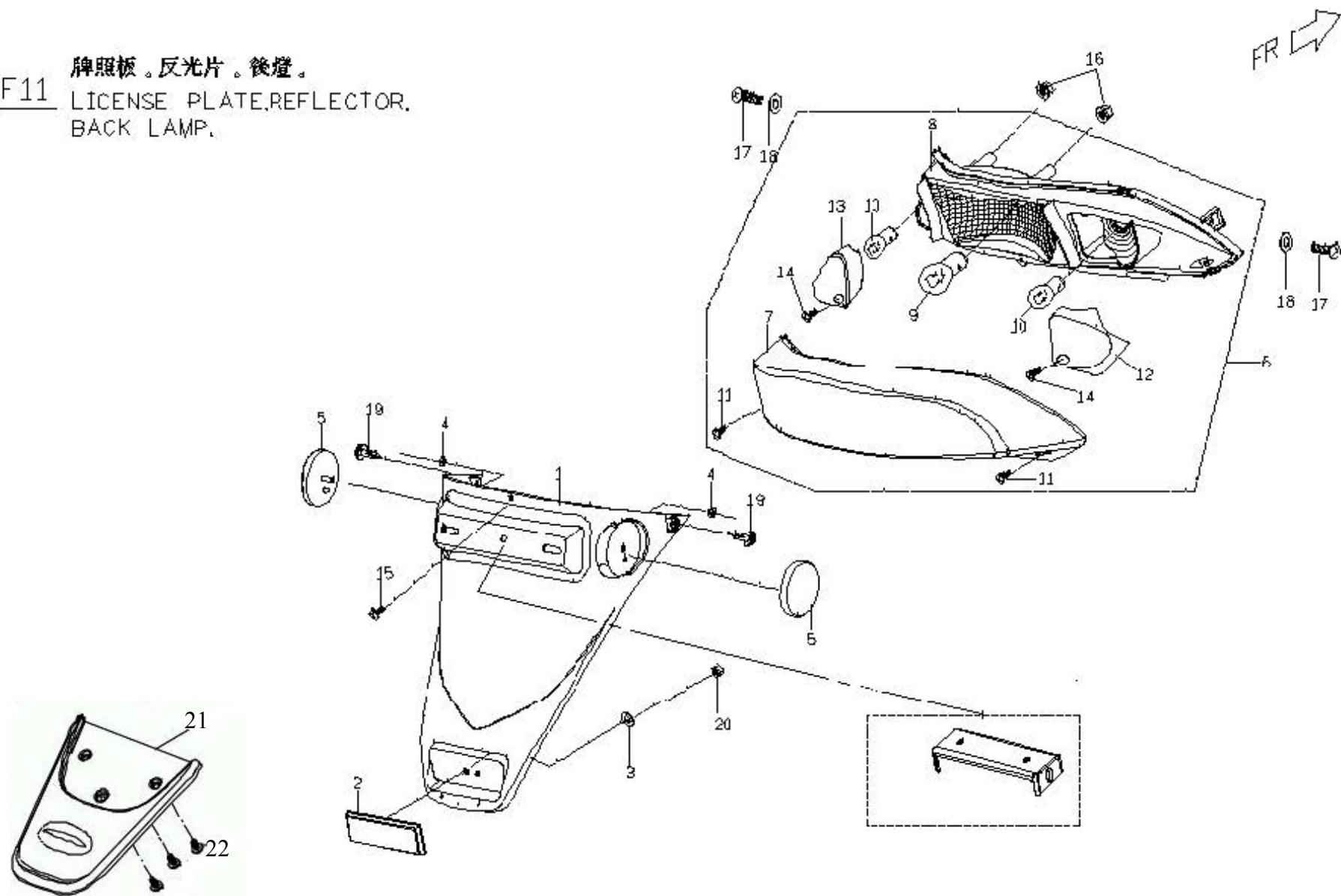


TABLE F11 LICENSE PLATE

NO.	PART NO	QTY	PART NAME
1	M26360026500	1	LICENCE PLATE BLUR 220
2	C5669000000	1	REFLECTOR DOT
2	C56690010000	1	REFLECTOR DOT
3	92140500014	1	PLAIN WASHER
4	92040600000	2	HEXAGON FLANGE NUT (M6*1.0P)
5	C16690010001	2	SIDE REFLECTOR
6	M26660010001	1	REAR LAMP ASSY.
7	M266F010000	1	CASE
8	M266F080000	1	SEAT
9	98311221050	1	BULB
10	98221210990	2	BULB
11	M266F070000	2	TAPPING SCREW
12	M266F0300001	1	INNER COVER
13	M266F0200001	1	INNER COVER
14	M266F060000	2	TAPPING SCREW
15	90110401200	1	CR PAN HD TAPPING SC
16	92040600000	2	HEXAGON FLANGE NUT (M6*1.0P)
17	90040601403	2	C-R PAN HD. MACHINE SCREW
18	92140600018	2	WASHER (6.4D*13D*1T)
19	M2701010000	2	PUSH RIVET
20	92020500000	1	HEXAGON NUT (M5*0.8P)
21	P2635001650	1	LOWER FENDER
22	90110401200	2	CR PAN HD TAPPING SC

F12. 車架  
FRAME (FOR EMS MODEL)

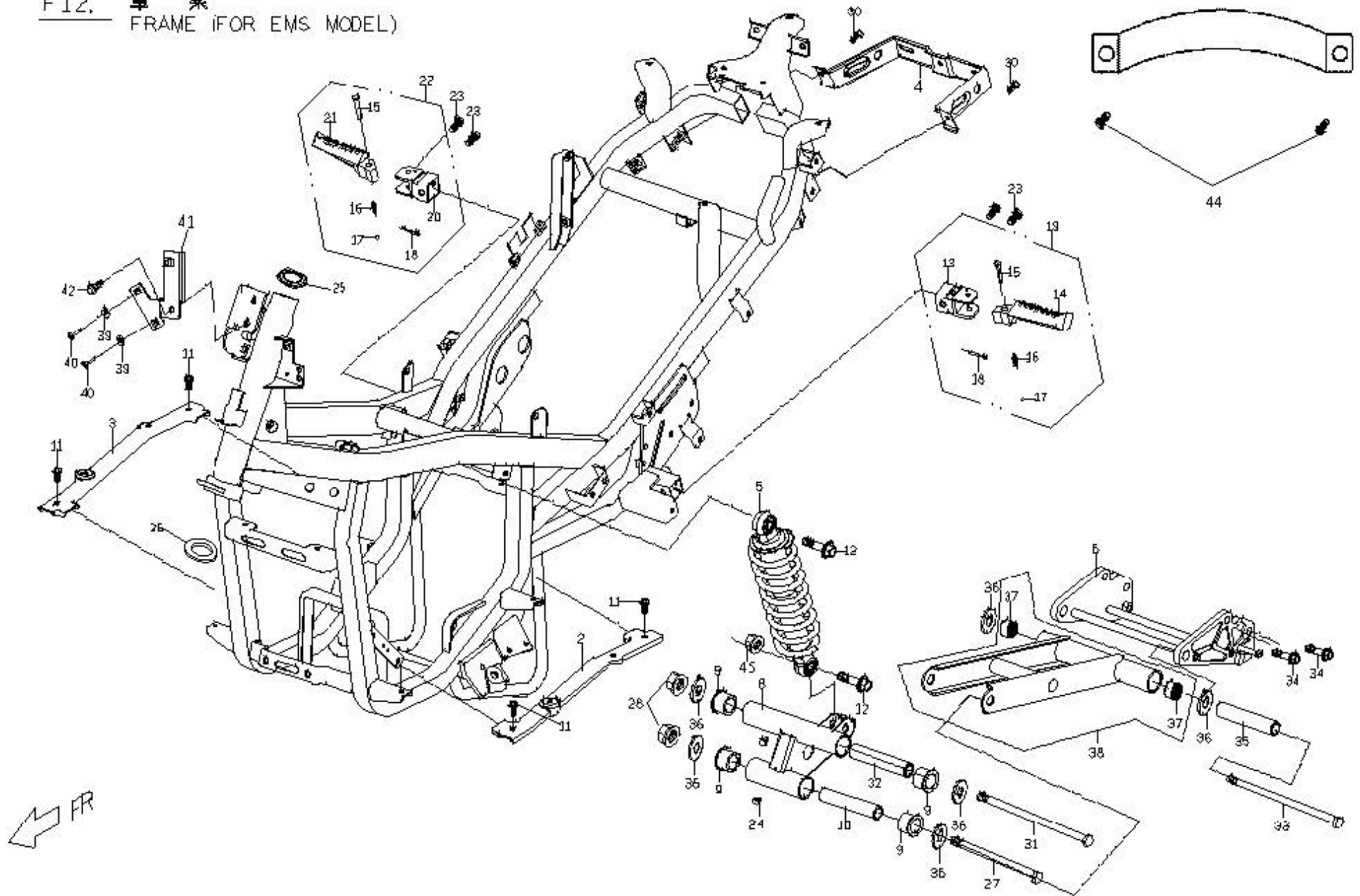




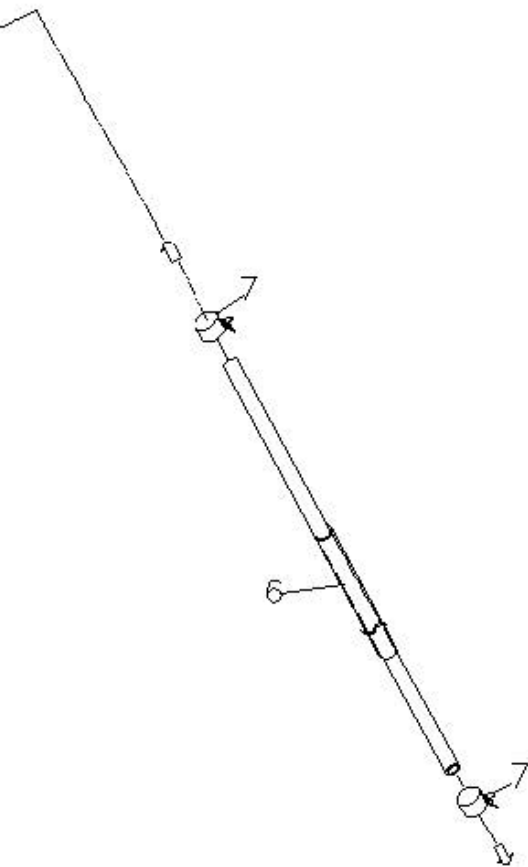
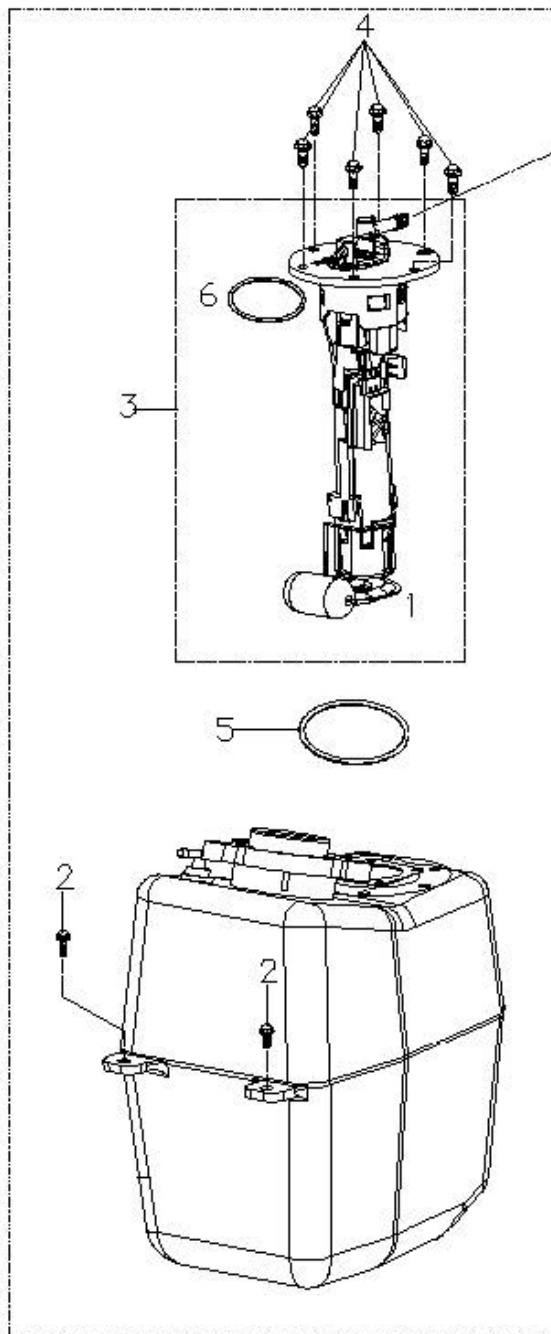
TABLE F12 FRAME

NO.	PART NO	QTY	PART NAME
2	M2421420000	1	SUPPORTING HOLDER ,STEPFLOOR(LH)
3	M242A420000	1	SUPPORTING HOLDER ,STEPFLOOR(RH)
4	M2421410000	1	LICENCE PLATE , LINK PLATE
5	M2481002000	1	REAR SHOCK
6	C74510316000	1	ENGINE LOWER HANGER (E.D)
8	M24510126000	1	TRIANGLE SWING ARM
9	X0481130000	4	BUSH,RR AXLE BRACKET
10	M2451050000	1	SPACER TUBE B
11	90190601502	1	HEXAGON FLANGE BOLT(M6*15L)
12	90191004000	2	HEXAGON FLANGE BOLT (M10*1.25P*40L)
13	M2463010000	1	BAR COMP,PEDAL LEVER
14	E1463020000	1	PEDAL LEVER, LH
15	E1463040000	2	FIXED PIN
16	E1463050000	2	COMPRESS SPRING
17	99010600000	2	BEARING BALL(1/4")
18	93520201200	2	OPEN PIN
19	M2463020000	1	BACKSEAT PEDAL LEVER COMP (L)
20	M2463010000	1	BAR COMP,PEDAL LEVER
21	E1464020000	1	PEDAL LEVER, RH
22	M2464020000	1	BACKSEAT PEDAL LEVER COMP (R)
23	90190604001	4	HEXAGON FLANGE BOLT (M6*40L)
24	X0481070000	2	GREASE VALVE
25	C1443020000	1	UPPER BEARING CAGE
26	C1443011000	1	LOWER BEARING CAGE
27	90191412500	1	HEXAGON FLANGE BOLT
28	92061400000	2	LOCK NUT,FLANGE U TYPE
30	90190601502	2	HEXAGON FLANGE BOLT(M6*15L)
31	90191420500	1	HEXAGON FLANGE BOLT

TABLE F12 FRAME

32	M2451040000	1	SPACER TUBE A
33	90191422000	1	HEXAGON FLANGE BOLT
34	90191002000	4	HEXAGON FLANGE BOLT(M10*1.25P*
35	M24510600003	1	SPACER TUBE C
36	X0481140000	6	DUSTPROOF
37	96550202600	2	NEEDLE BEARING
38	C74510230000	1	DRAW BAR
39	92140400003	2	FLAT GASKET ( 4.2D*16D*1.6T)
40	90070402000	2	PAN HEAD SCREW
41	M27011200000	1	FIXED PLATE,HORN
42	90190801202	1	HEXAGON FLANGE BOLT (M8*12L)
44	90130501401	1	C-R RECESS PAN HD. TAPPING
45	92061000001	1	HEXAGON FLANGE NUT

F13 汽油箱  
FUEL TANK (EMS MODEL)



噴油嘴帽蓋接頭  
TO CAP OF NOZZLE



TABLE F13 FUEL TANK

NO.	PART NO	QTY	PART NAME
1	M2521500007	1	FUEL TANK BLUR 220
2	90190601502	3	HEXAGON FLANGE BOLT(M6*15L)
3	M25218000004	1	FUEL PUMP COMP BLUR 220
4	90200501401	6	C-R HEXAGON FLANGE BOLT
5	95516700000	1	O RING
6	M25260720000	1	OIL PIPE
7	ES706010000	2	CLIP

F14.2 中腳柱, 側腳柱  
CENTER STAND, SIDE STAND

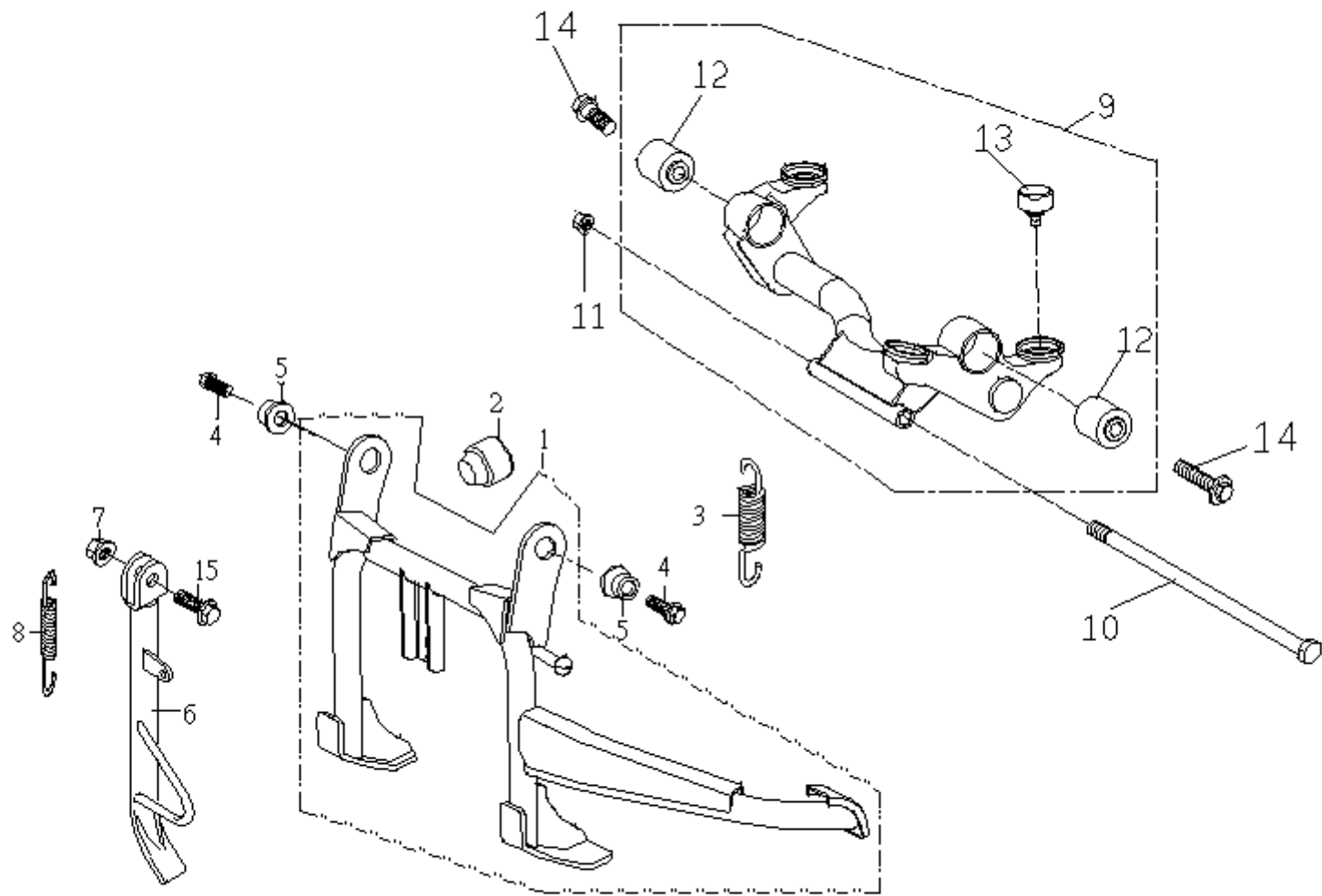


TABLE F14 STANDS

NO.	PART NO	QTY	PART NAME
1	C74610016000	1	CENTER STAND ASSY (E.D)
2	C1701050000	1	RUBBER DAMPING, CENTER STAND
3	E1461121000	2	SPRING
4	90191003502	2	HEXAGON FLANGE BOLT
5	M24610100000	2	SLIDE BUSH
6	M24620036000	1	SIDE STAND ASSY
7	92060800002	1	HEXAGON FLANGE NUT
8	C2462120000	1	SPRING,SIDE STAND
9	M2486003000	1	ENGINE HANGER COMP.
10	90191018000	1	HEXAGON FLANGE BOLT (M10*180L)
11	92061000001	1	HEXAGON LOCK NUT (M10*1.25P)
12	M2486070000	2	BUSH
13	C14860500001	1	RUBBER
14	M2486010000	2	BOLT
15	90020803201	1	HEXAGON HEAD BOLT

F15 主配線  
 WIRE HARNESS (EMS MODEL)

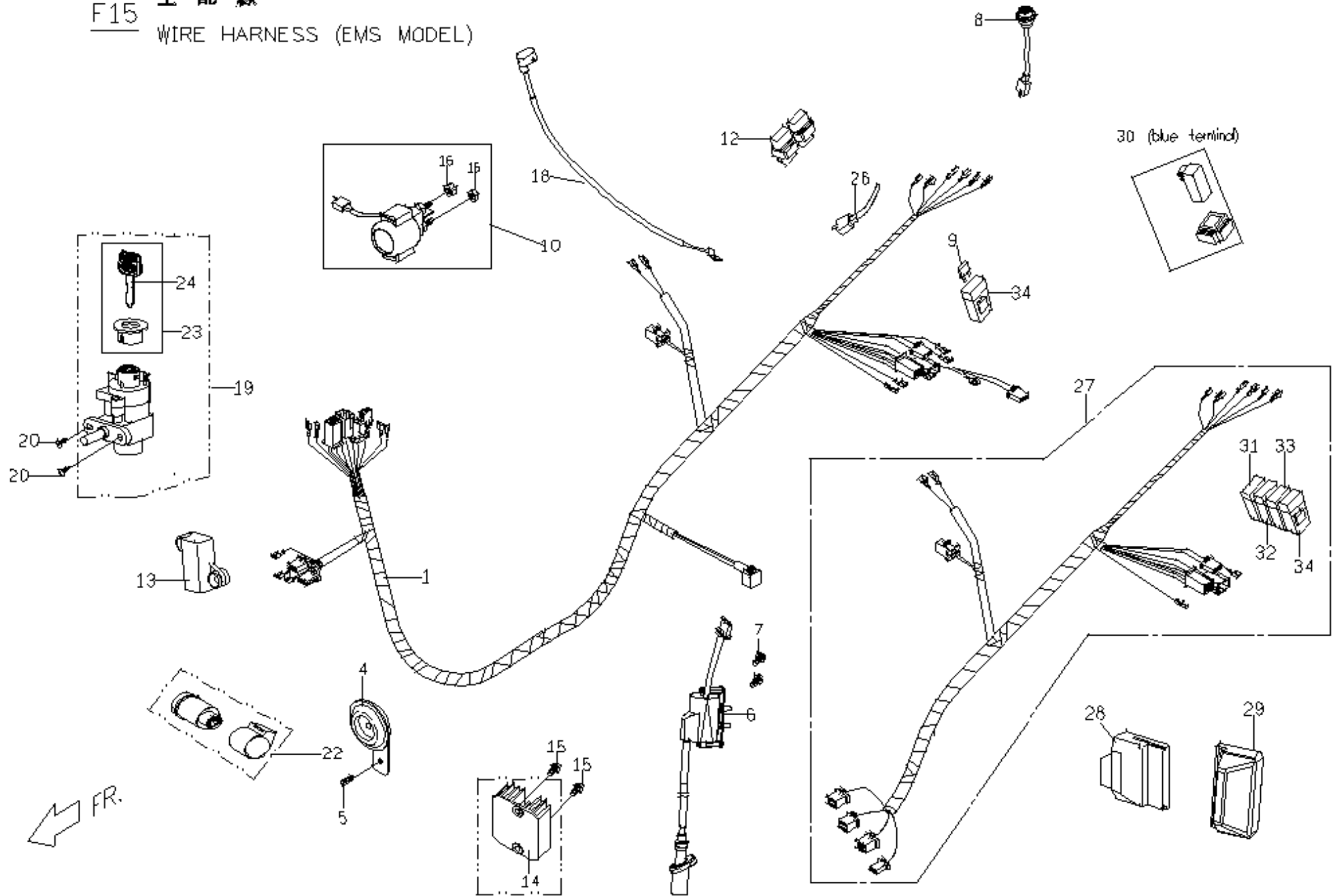
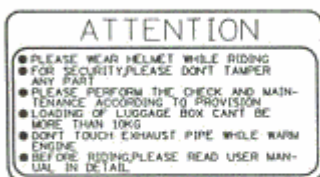


TABLE F15 WIRE HARNESS

NO.	PART NO	QTY	PART NAME
1	M2581600000F	1	WIRE HARNESS BLUR 220
4	B5583600000	1	HORN.L
5	90190801202	1	HEXAGON FLANGE BOLT (M8*12L)
6	M25846000002	1	COIL COMP IGNITION
7	90190601604	1	HEXAGON FLANGE BOLT (M6*20L)
8	ES581710000	1	DIAGNOSE ADAPTOR
9	98701215000	1	FUSE
10	C1581001000	1	STARTER RELAY ASSY
12	ES581200000	2	RELAY
13	ES5891010000	1	TOPPLE SWITCH
14	M25840000002	1	RECTIFIER COMP.REGULATE
15	90190601502	1	HEXAGON FLANGE BOLT(M6*15L)
16	92030600004	2	HEXAGON NUT
18	M2583020000	1	BATTERY (+) LINE
19	M2552002000A	1	IGNITION SWITCH COMP.
20	90040602003	2	CR PAN HD MACHINE SCREW
22	C15860000000	1	FLASHER RELAY ASSY
23	M25520300004	1	ANTI-THIEF COVER ASSY & KEY
24	M25520330004	1	KEY
26	C158A010000	1	DIODE
27	M25817000004	1	ELECTROJET
28	M25890000002	1	ECU
29	ES5890210000	1	ECU RUBBER
30	M25843010000	1	DELAY RELAY RACK
31	98701201000	1	FUSE
32	98701205000	1	FUSE
33	98701207500	1	FUSE
34	98701200000	3	FUSE BOX



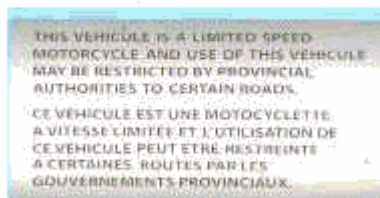
# F16. 貼紙 / LABELS



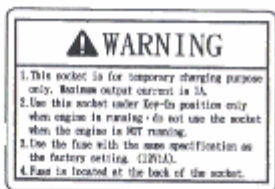
1



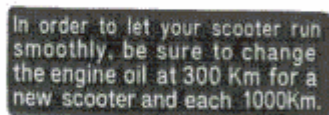
2



3



4



5

**VEHICLE EMISSION CONTROL INFORMATION**  
GENUINE SCOOTER CO., 5400 N. DAVEN AVENUE - CHICAGO, IL 60635

THIS VEHICLE CONFORMS TO US EPA & CALIFORNIA REGULATIONS APPLICABLE TO 2011 MODEL YEAR NEW MOTORCYCLES AND IS CERTIFIED TO 1.0 GPM, IIC, 12 G/M, CO, EXHAUST EMISSION STANDARD IN CALIFORNIA.

ENGINE DISPLACEMENT: 220 CC  
ENGINE FAMILY: BGSOC 220BLR  
EVAP FAMILY: BGSUADMMRLE  
PERMATOR FAMILY: BGSOCNATLTY  
ENGINE EXHAUST CONTROL SYSTEM: TBI-PAIR-025  
SEE OWNER'S MANUAL.

ENGINE TUNEUP SPECIFICATIONS:  
IDLE MIXTURE: NON ADJUSTABLE  
VALVE CLEARANCE: 0.12 MM  
SPARK PLUG: NGK CR7E  
SPARK PLUG GAP: 0.8 MM  
IGNITION TIMING: NON ADJUSTABLE  
IDLE SPEED: 1600 +/- 100 RPM IN NEUTRAL  
FUEL: UNLEADED GASOLINE ONLY  
- 91 (R)-M72 OCTANE OR HIGHER  
OIL: SAE 15W40

MOTIVE POWER, MANUFACTURED BY GENUINE BRAND MOTORCYCLES IMPORTED BY GENUINE SCOOTERS  
MANUFACTURED BY MOTIVE POWER, TAIWAN  
ON 7-31 (M/YY)

6

**保險絲說明 FUSE EXPLAIN**

- 1A: 微電腦控制器 ELECTRONIC CONTROL UNIT
- 5A: 燃油泵/噴嘴 FUEL PUMP/NOZZLE
- 7.5A: 點火控制系統 IGNITION
- 10A: 電機系統 EMS

7

**Motorcycle Noise Emission Control Information**  
This  BLURSS220i motorcycle RF VM2C80 [UJUUUUU] meets EPA noise emission requirements of 80dBA at 6627 rpm by the Federal test procedure. Modifications which cause this motorcycle to exceed Federal noise standards are prohibited by Federal law. See owner's manual.

12



8



9



13



10



11

TABLE F16 EMBLEMS, STICKERS

NO.	PART NO	QTY	PART NAME
1	C16030010001	1	NOTICE ADHESIVE LABEL
2	M26012900000	1	"G" WINSHIELD ORNAMENT STICKER
3	C1603070000	1	TIRE INFORMATION PAPER
4	P26031100000	1	WARNING LABEL, SOCKET
5	C16030120001	1	OIL CHANGE LABEL
6	M26031600000	1	EEC+E/G MARK STICKER
7	P6603300000F	1	FUSE EXPLAIN STICKER
8	M2601A700000	1	GMAX220 BLUR STICKER
9	M26032600000	1	NO LOADING STICKER
10	M26013000002	1	SIGNAL LAMP ORNAMENT STICKER,LH
10	M26013000001	1	SIGNAL LAMP ORNAMENT STICKER,LH
11	M26013100002	1	SIGNAL LAMP ORNAMENT STICKER,RH
11	M26013100001	1	SIGNAL LAMP ORNAMENT STICKER,RH
12	M26031500000	1	NOISE EMISSION CONTROL INFORMATION PAPER
13	P6601A900000	1	MADE IN TAIWAN STICKER

F17 燃料蒸發E.C.控制系統  
E.E.C SYSTEM (OPTIONAL DEVICE)

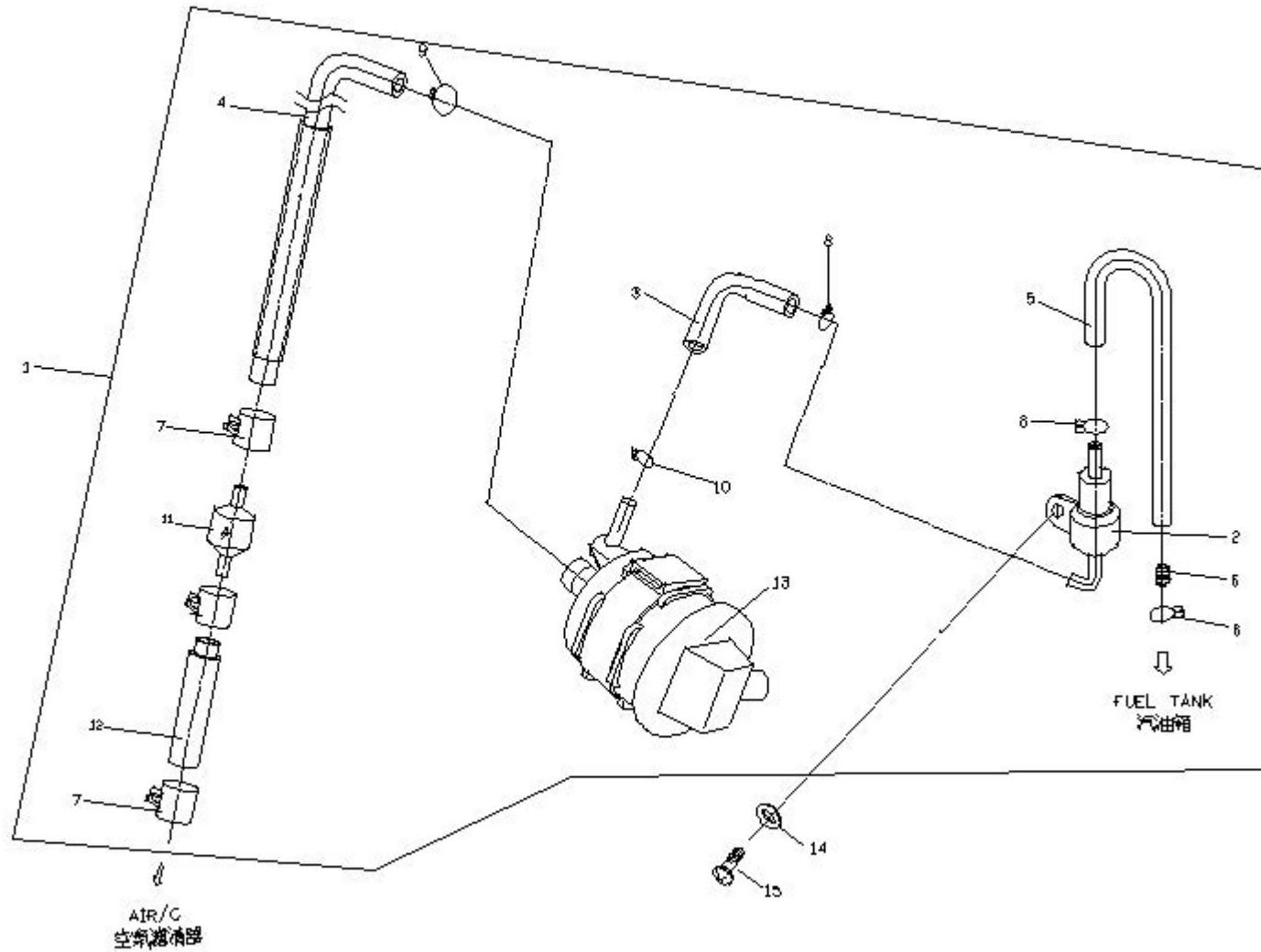


TABLE F17 EEC.SYSTEM

NO.	PART NO	QTY	PART NAME
1	M2524000002	1	E.E.C SYSTEM
2	M2524040000	1	FCV
3	M2524020000	1	RUBBER HOSE
4	M2524010000	1	RUBBER HOSE
5	M2524030000	1	RUBBER HOSE
6	E9524070000	1	THROTTLING HOLE
8	P552D080000	4	CLIP
9	92211300000	1	HOSE CLIP
10	P552D070000	1	CLIP
11	P6524120000	1	PRESS VALVE
12	M25240510000	1	RUBBER TUBE
13	M2524060000	1	CANISTER/PCV COMP
14	92140600018	1	WASHER (6.4D*13D*1T)
15	90040602003	2	CR PAN HD MACHINE SCREW